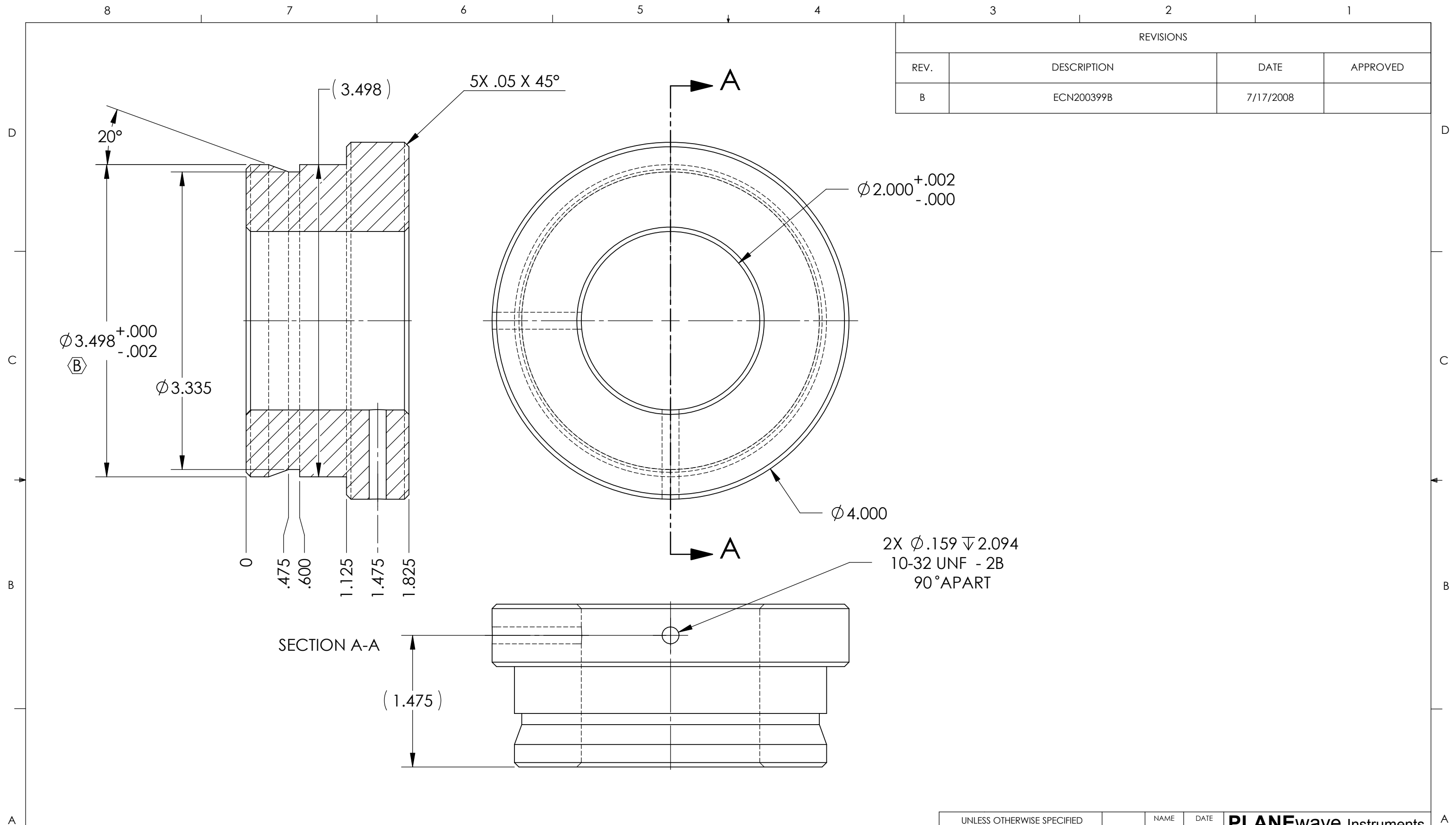


REVISIONS			
REV.	DESCRIPTION	DATE	APPROVED
B	ECN200399B	7/17/2008	



2. ANODIZE PER MIL-A-8625F, TYPE 2, CLASS 2, BLACK.
 1. ALL DIMENSIONS APPLY AFTER FINISH.
 NOTES: UNLESS OTHERWISE SPECIFIED

PROPRIETARY AND CONFIDENTIAL
 THE INFORMATION CONTAINED IN THIS DRAWING IS THE SOLE PROPERTY OF PLANEWAVE INSTRUMENTS. ANY REPRODUCTION IN PART OR AS A WHOLE WITHOUT THE WRITTEN PERMISSION OF PLANEWAVE INSTRUMENTS IS PROHIBITED.

UNLESS OTHERWISE SPECIFIED TOLERANCES
 DECIMAL DIM .XXXX ±.0005
 .XXX ±.005
 .XX ±.02
 ANGULAR DIM MACHINED ±0° 30'
 LOCATING ±0° 30'
 FORMED ±1°
 CHAMFERS ±5°
 SURFACE FINISH 63 ✓
 MAX R 0.015
 BREAK ALL SHARP EDGES & REMOVE BURRS.

DRAWN	NAME	DATE
CHECKED	BP	7/6/08
ENG APPR.		
MATERIAL		
6061-T6 AL ALLOY		
FINISH		
SEE NOTE 2		

PLANEwave Instruments		
TITLE		
ADAPTER, VISUAL 3.5" TO 2.0"		
SIZE	DWG. NO.	REV.
B	200399	B
SCALE: 1:1	CAD FILE: 200399B	SHEET 1 OF 1