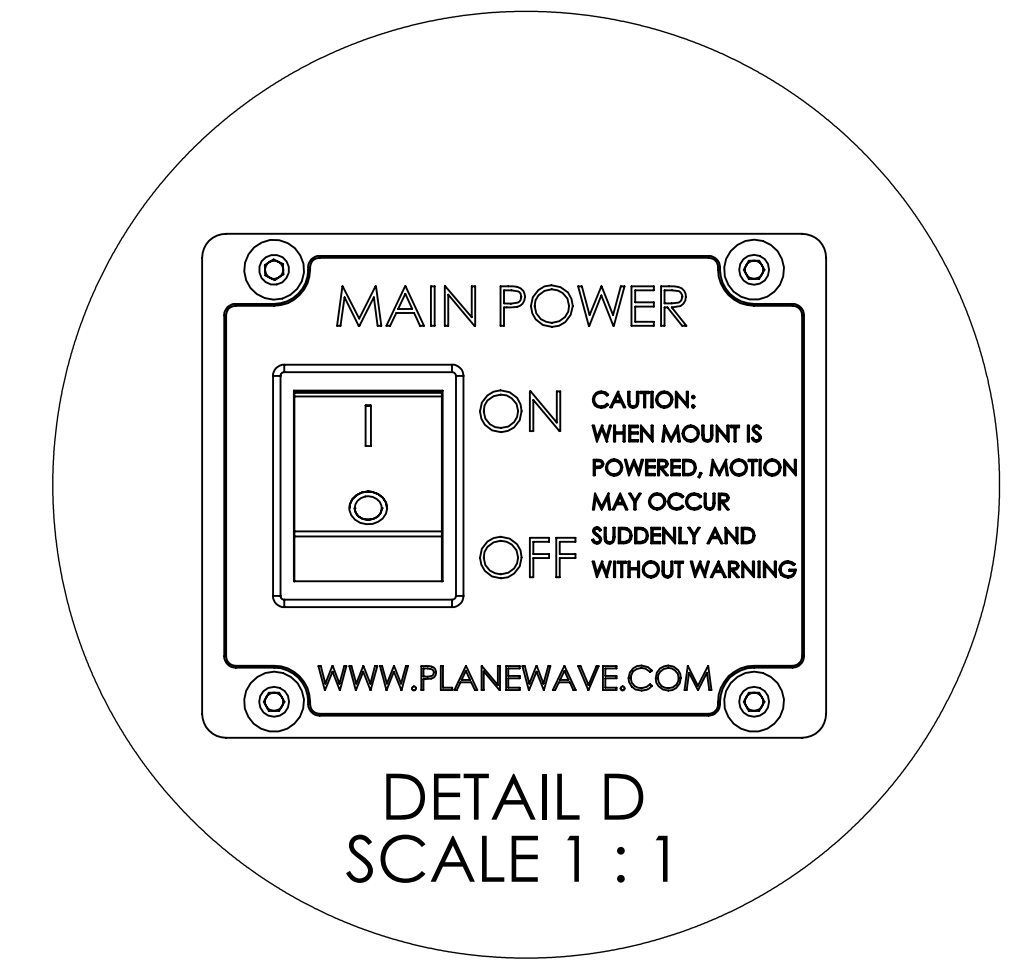
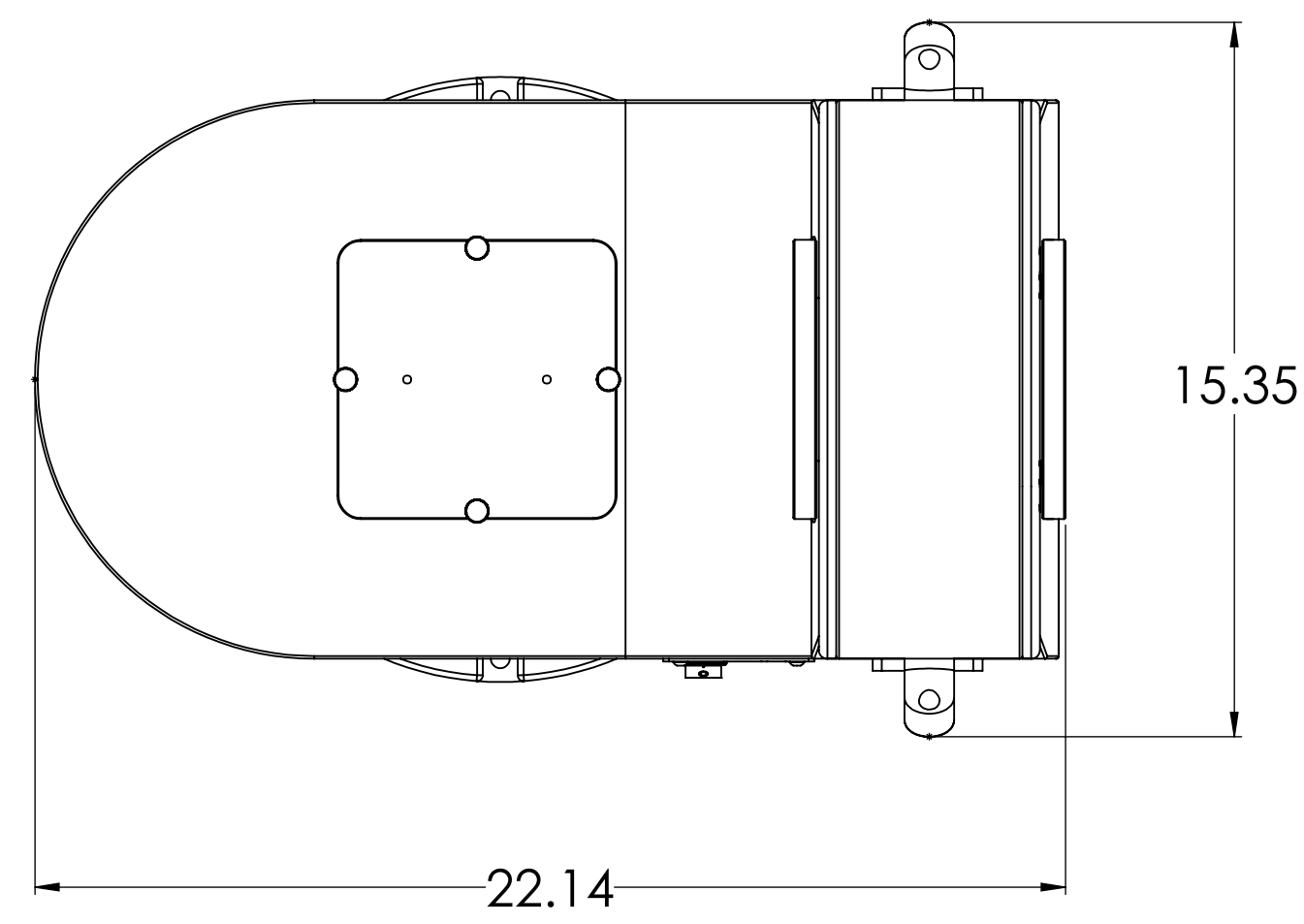
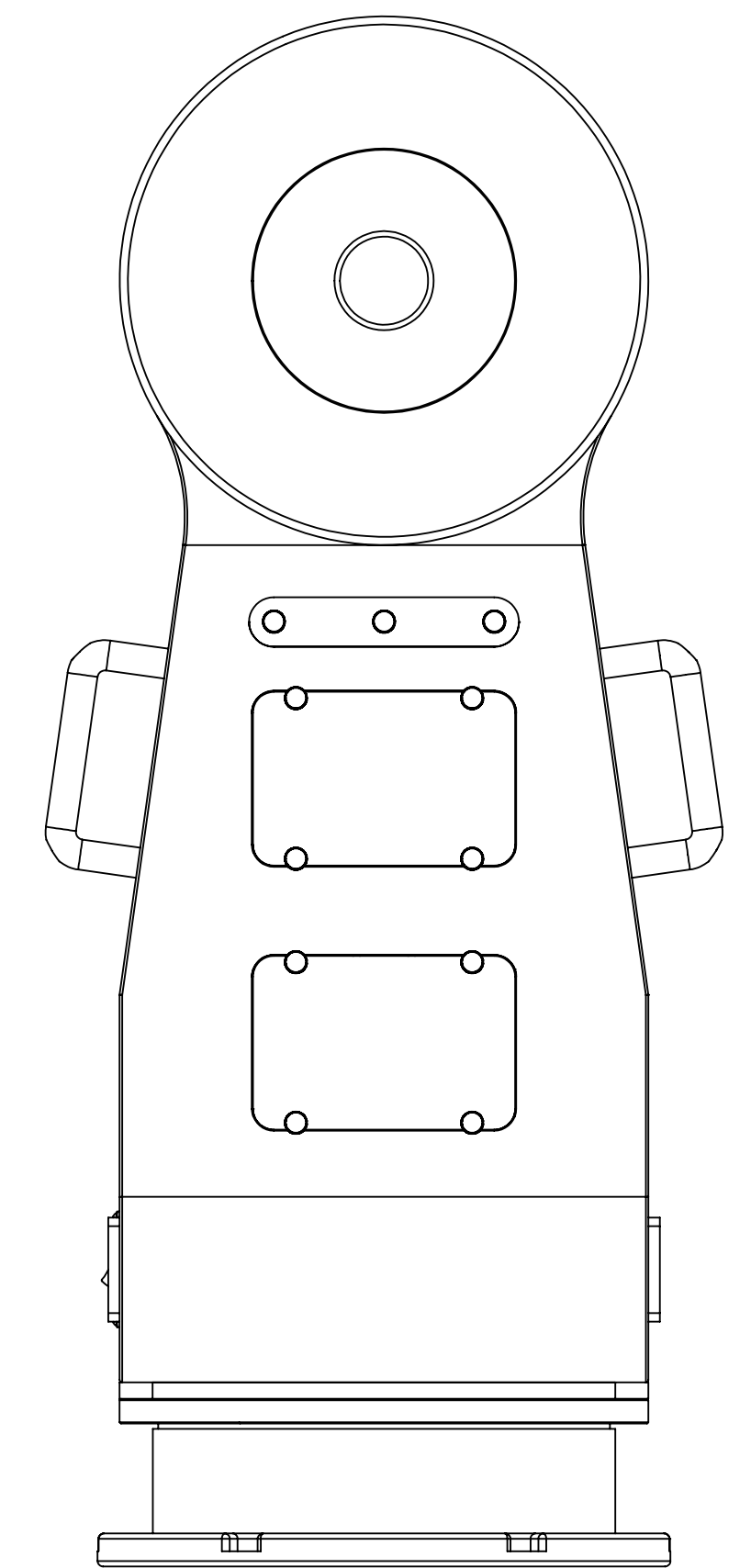
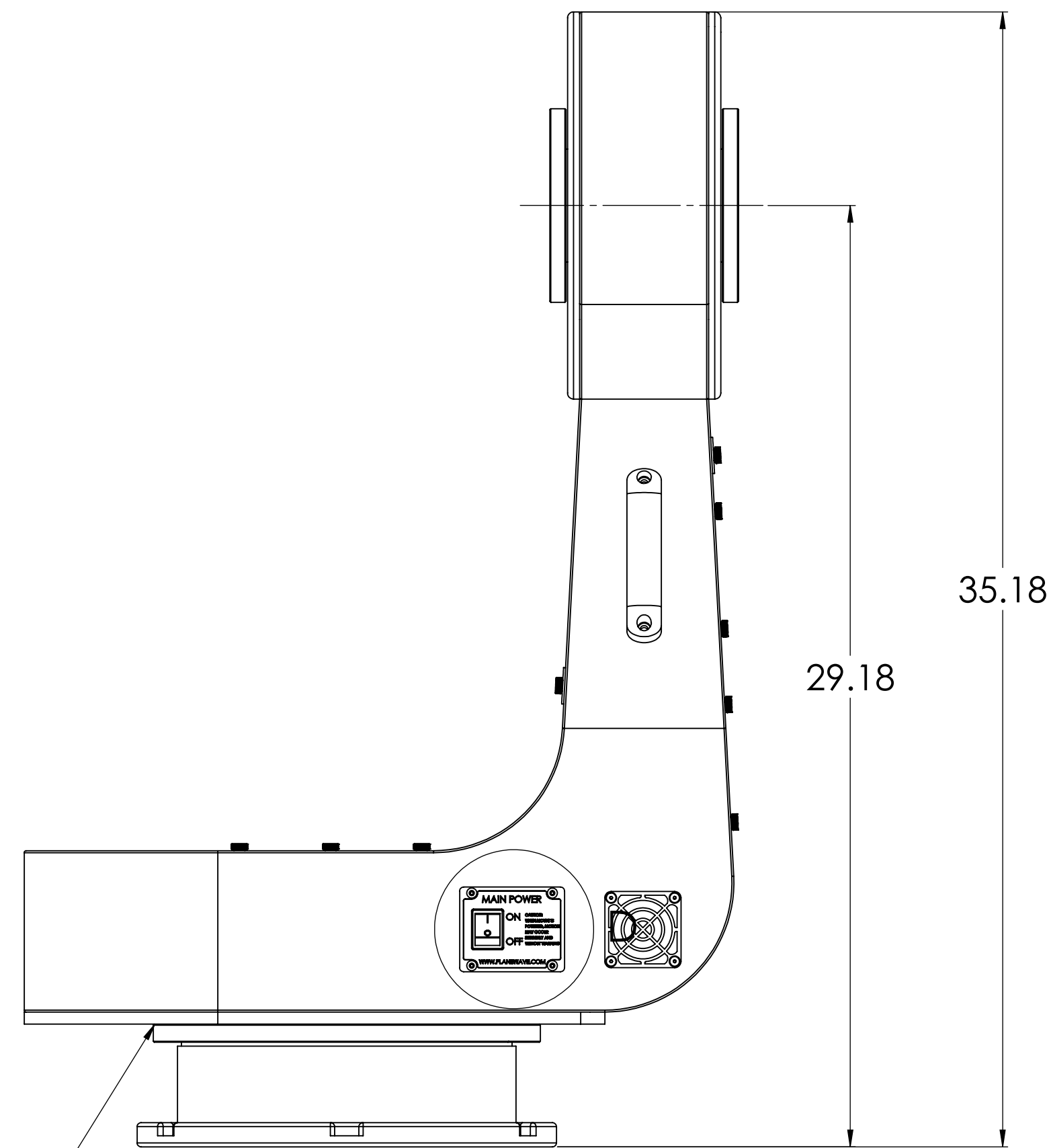
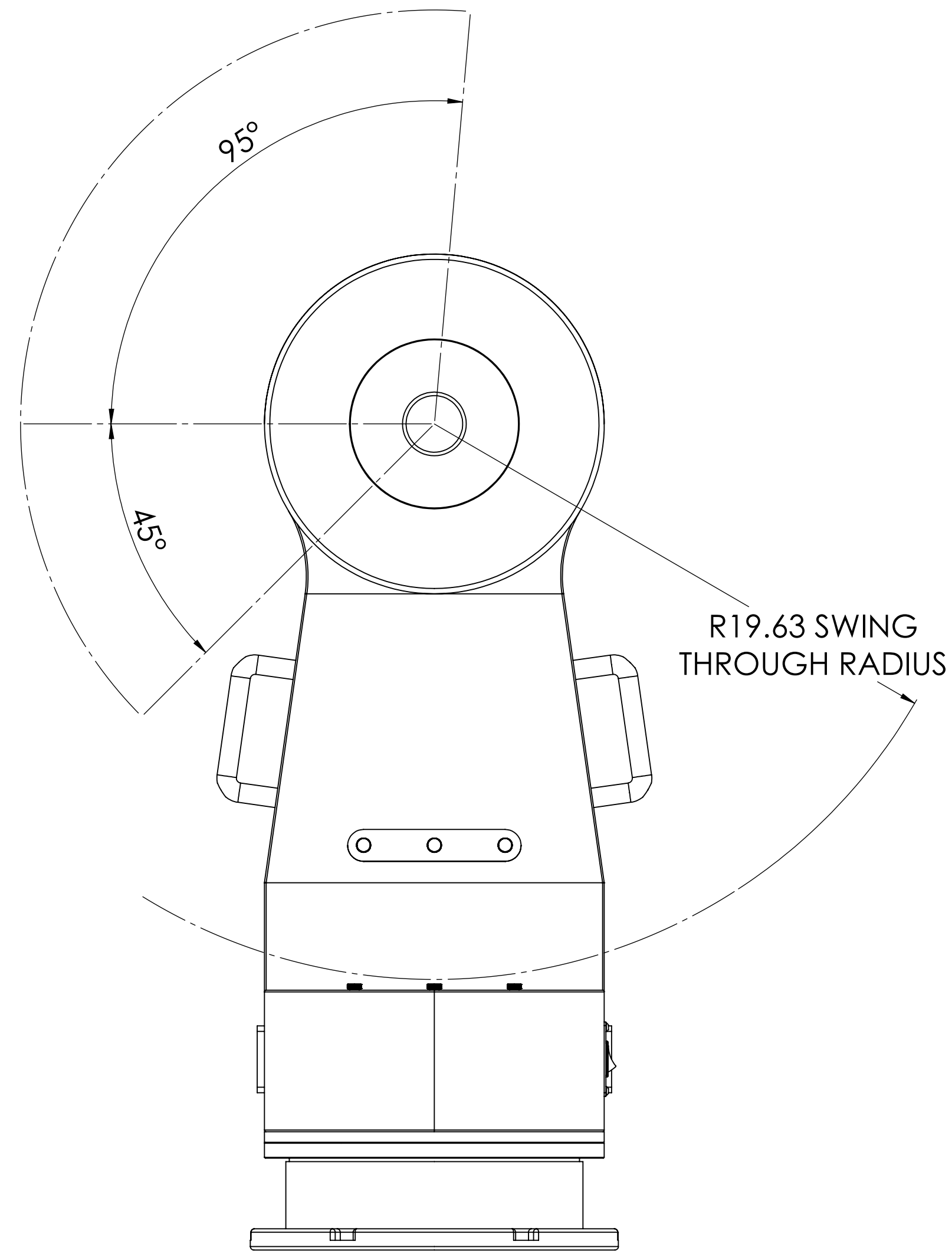


FORK ARM AND ALT/DEC MOTOR: 70LBS
 BASE/RA MOTOR: 40LBS
 TOTAL MOUNT WEIGHT: 110LBS
 POWER INPUT: 85-260VAC 50-60HZ
 MAX SLEW RATE: 50 DEGREES PER SECOND
 MAX LOAD RATING: 100LBS
 ALT/AZ OR EQUATORIAL WITH OPTIONAL WEDGE



ALTITUDE/DECLINATION AXIS HAS 2 SETTINGS FOR THE END OF TRAVEL SPRING STOPS. 0 DEGREES FOR ALT/AZ CONFIGURATION AND -45 DEGREES FOR EQUATORIAL UPPER LIMIT IS FIXED AT 95 DEGREES



INTERFACE BETWEEN FORK ARM AND BASE MOTOR HAS SEVERAL OFFSET PATTERNS TO ALLOW INITIAL BALANCING OF SYSTEM

UNLESS OTHERWISE SPECIFIED TOLERANCES		NAME	DATE	PlaneWave Instruments	
DECIMAL DIM	ANGULAR DIM	DRAWN	KAI	10/25/2017	TITLE
.XXXX ±.0005	MACHINED: ±0° 30'	CHECKED			L350 PLAN DRAWING
.XXX ±.005	LOCATED: ±0° 30'	ENG APPR:			
.XX ±.02	FORMED: ±1°	MATERIAL			
SURFACE FINISH	CRAMMERS: ±5°	THE BEST			
MAX R 0.015		FINISH			
BREAK: ALL SHARP EDGES & REMOVE BURRS.		THE BEST			
PROPRIETARY AND CONFIDENTIAL THE INFORMATION CONTAINED IN THIS DRAWING IS THE SOLE PROPERTY OF PLANEWAVE INSTRUMENTS. ANY REPRODUCTION IN PART OR AS A WHOLE WITHOUT THE WRITTEN PERMISSION OF PLANEWAVE INSTRUMENTS IS PROHIBITED.		SIZE	DWG. NO.	REV.	
		D	L350 PLAN	A	
SCALE: 1:1		CAD FILE	L350 PLAN DRAWING	SHEET 1 OF 1	