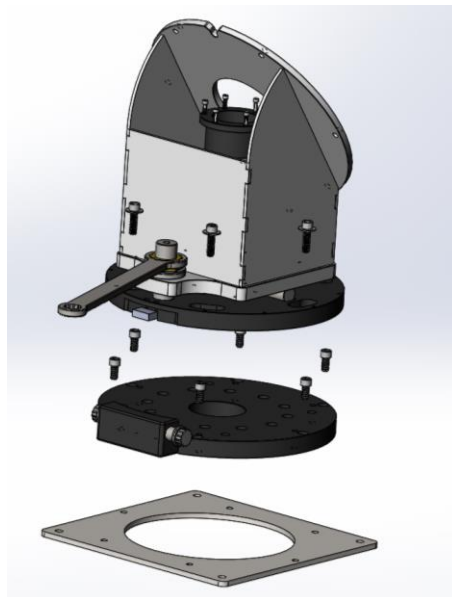


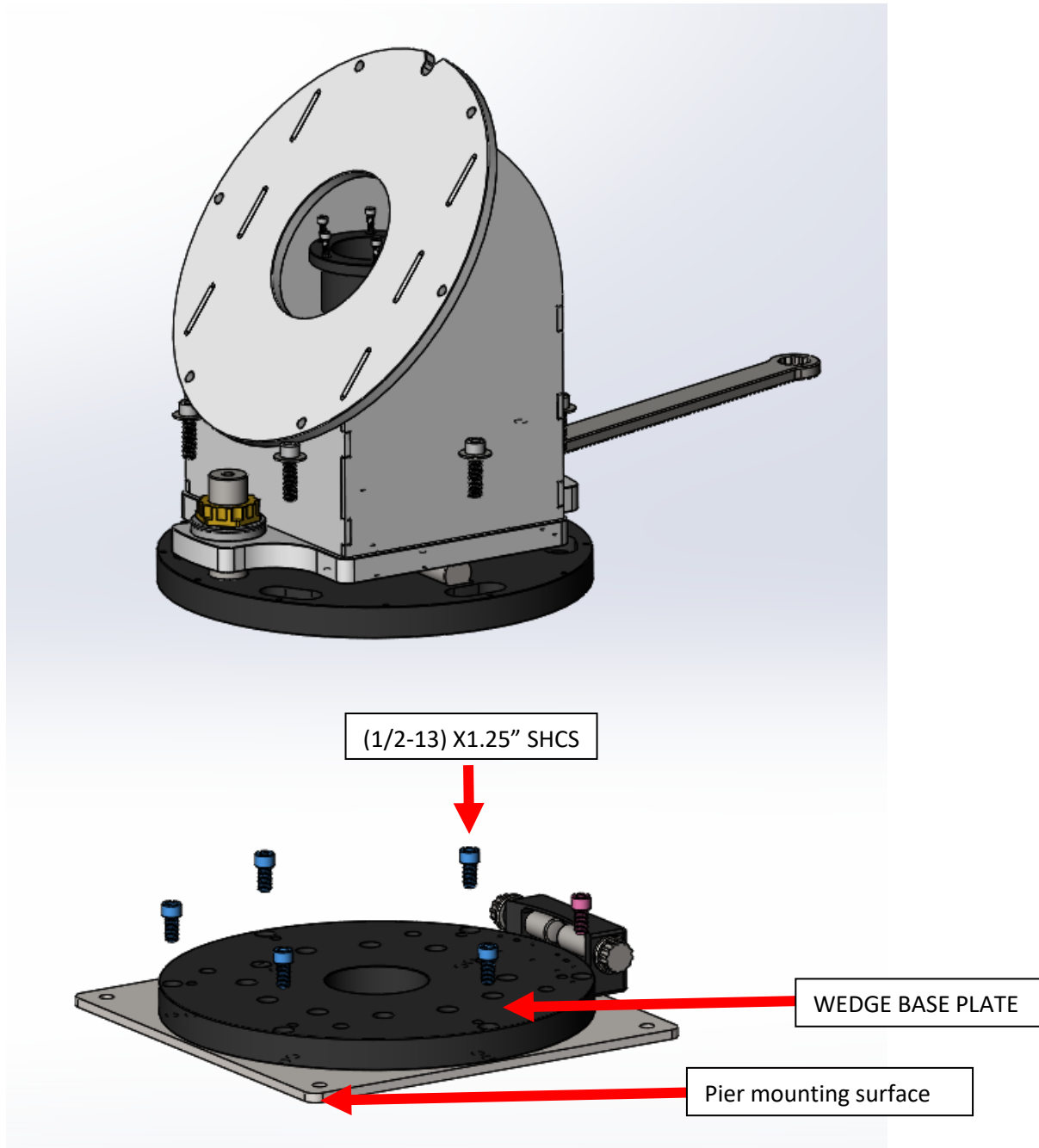


L500210 (L500-L600)
Polar Wedge
Assembly Instructions



Step 1:

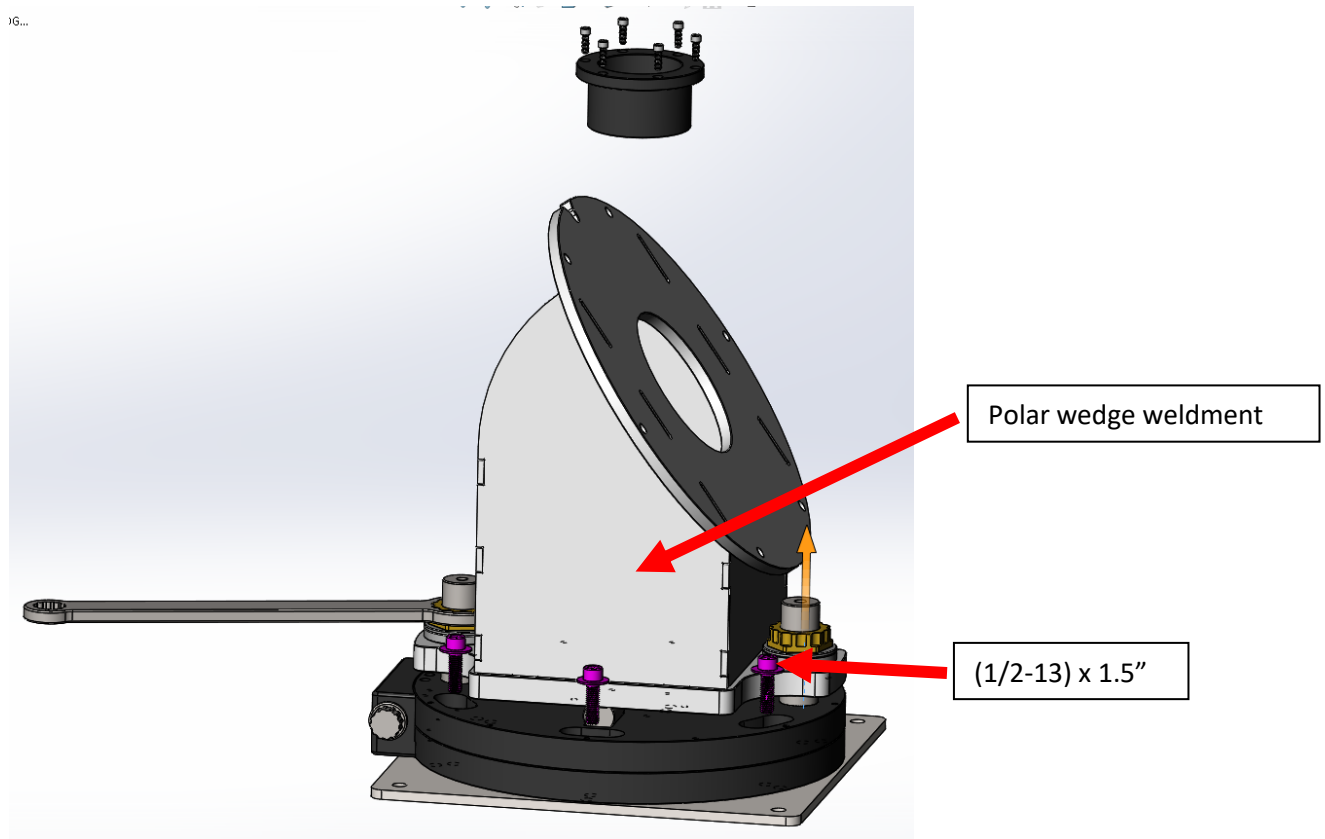
Use 6 (1/2-13) X 1.25" SHCS to attach Wedge Base Plate to mounting surface.



Step 2:

Using 6 (1/2-13) x 1.5" SHCS attach polar wedge weldment to the wedge base plate

16...



Step 3:

Using 6 (1/4-20) x 3/4" SHCS slip fit the wedge AZ Rotation hub into baseplate and bolt flange to bolt pattern on the base of the wedge weldment

