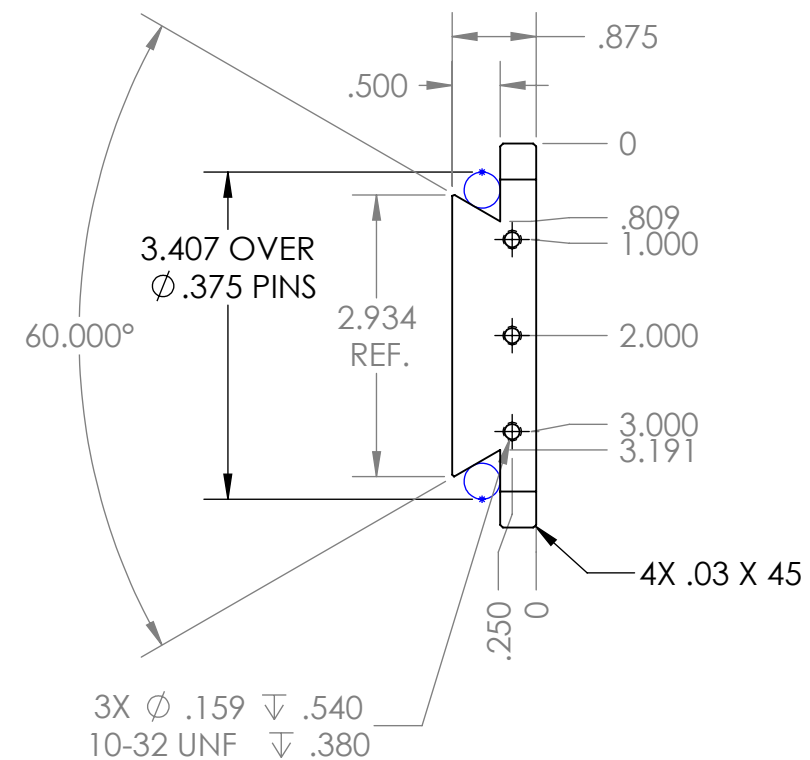
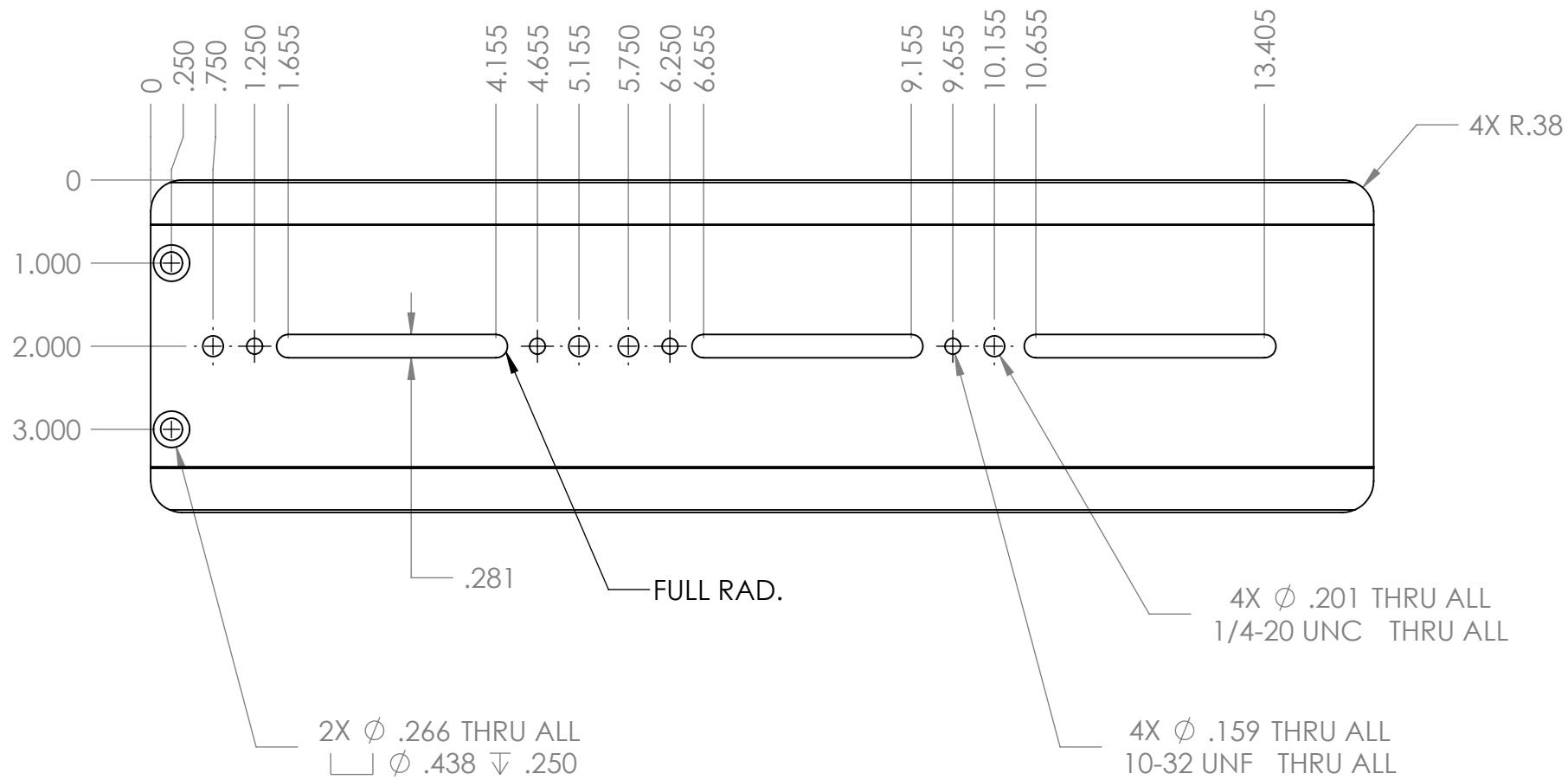
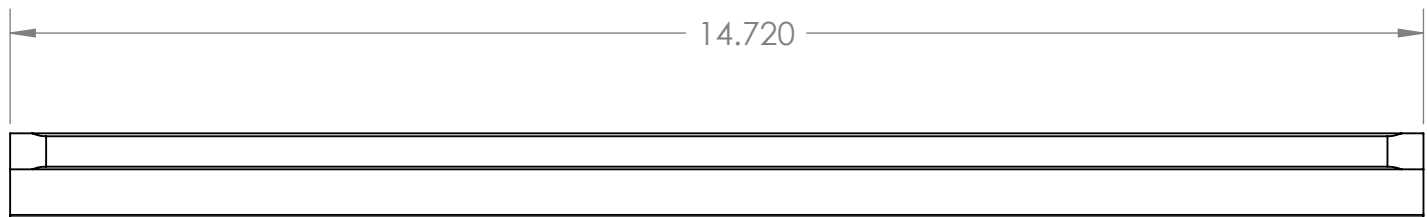


REVISIONS				
ZONE	REV.	DESCRIPTION	DATE	APPROVED
	A	INITIAL RELEASE	12/28/2011	KAI



**PROPRIETARY AND CONFIDENTIAL**  
 THE INFORMATION CONTAINED IN THIS DRAWING IS THE SOLE PROPERTY OF PLANEWAVE INSTRUMENTS. ANY REPRODUCTION IN PART OR AS A WHOLE WITHOUT THE WRITTEN PERMISSION OF PLANEWAVE INSTRUMENTS IS PROHIBITED.

UNLESS OTHERWISE SPECIFIED TOLERANCES  
 DECIMAL DIM .XXXX ±.0005  
 .XXX ±.005  
 .XX ±.02

ANGULAR DIM MACHINED ±0° 30'  
 LOCATING ±0° 30'  
 FORMED ±1°  
 CHAMFERS ±5°

SURFACE FINISH  $\checkmark$   
 MAX R 0.015

BREAK ALL SHARP EDGES & REMOVE BURRS.

DRAWN	NAME	DATE
CHECKED	KAI	12/28/2011
ENG APPR.		
MATERIAL		
6061-T6 AL ALLOY		
FINISH		
BLACK ANODIZE TYPE II		

PlaneWave Instruments	
TITLE	
CDK17 ACC DOVETAIL	
SIZE	DWG. NO.
B	170336
SCALE: 1:2	CAD FILE: 170336A
SHEET 1 OF 1	REV. A