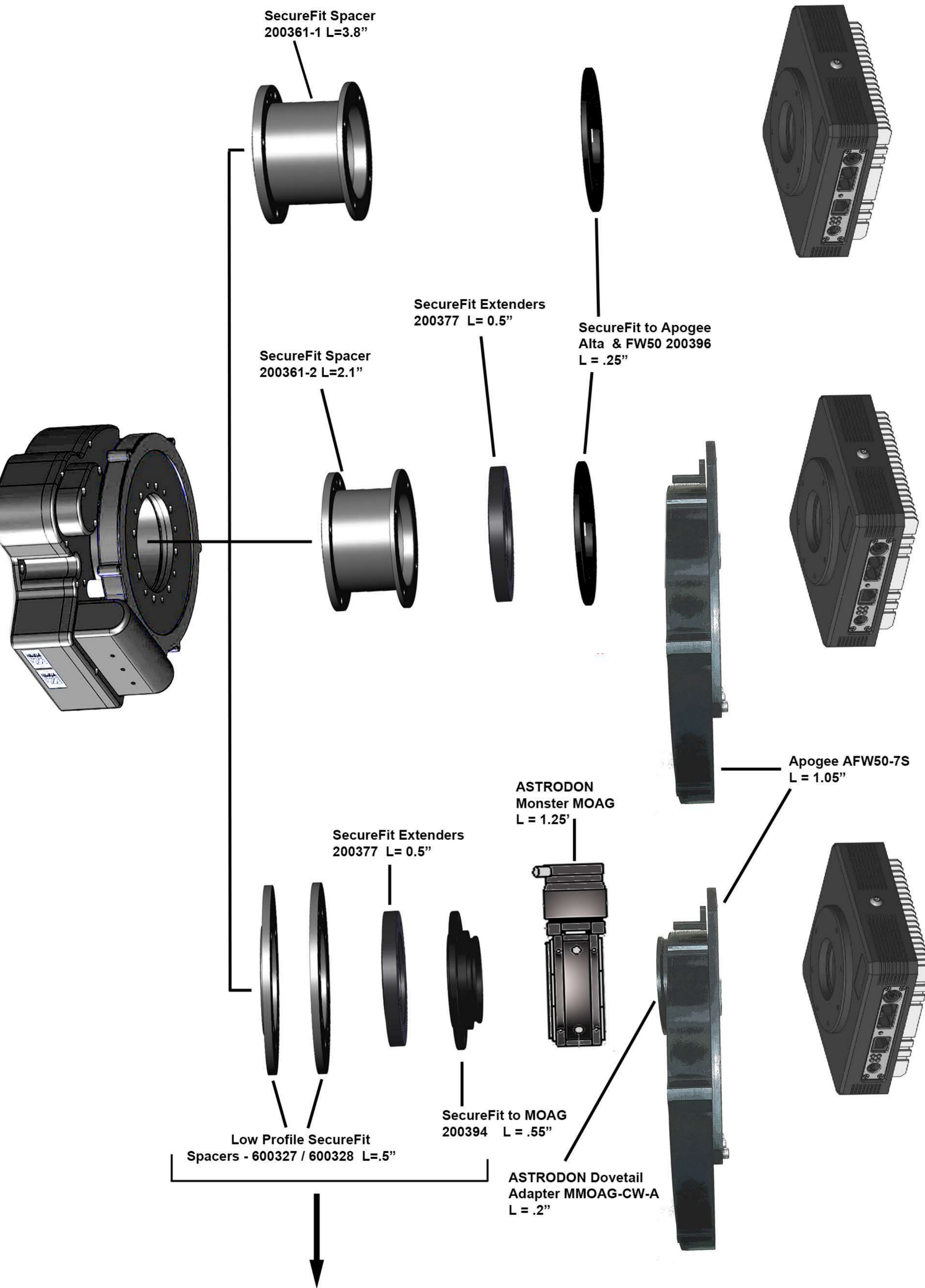


CDK 20 and 24" - OPTICAL TRAIN: for Apogee ALTA or ASPEN with FW50 and MMOAG

**Apogee AltaU16M
BF - 1.008" (1.363" for D9 high cooling)**



IR90 to Apogee Alta or ASPEN	Inches
IR90 (raked in)	3.5
Focus Position (0-1.3")	0.25
SecureFit 3.8" Adapter - 200361-1	3.8
SecureFit to Apogee Alta & FW50 - 200396	0.25
Apogee ALTA, ASPEN BackFocus	1.01
TOTAL	8.81

IR90 to Apogee Alta (D9 High Cooling)	Inches
IR90 (raked in)	3.5
Focus Position (0-1.3")	0.6
SecureFit 2.1" Adapter - 200361-2	2.1
SecureFit CCD Extender - 200377	0.5
SecureFit CCD Extender - 200377	0.5
SecureFit to Apogee Alta & FW50 - 200396	0.25
Apogee U16M High Cooling BackFocus	1.36
TOTAL	8.81

*For ASPEN camera use 200395-3 instead of 200396

IR90 to Apogee Alta, ASPEN w/Filter Wheel	Inches
IR90 (raked in)	3.5
Focus Position (0-1.3")	0.4
SecureFit 2.1" Adapter - 200361-2	2.1
SecureFit CCD Extender - 200377	0.5
SecureFit to Apogee Alta & FW50 - 200396	0.25
Apogee AFW50-7S	1.05
Apogee ALTA, ASPEN BackFocus	1.01
TOTAL	8.81

IR90 to Apogee Alta w/Filter Wheel (D9 High Cooling)	Inches
IR90 (raked in)	3.5
Focus Position (0-1.3")	0.55
SecureFit 2.1" Adapter - 200361-2	2.1
SecureFit to Apogee Alta & FW50 - 200396	0.25
Apogee AFW50-7S	1.05
Apogee U16M High Cooling BackFocus	1.36
TOTAL	8.81

IR90 to Apogee Alta, ASPEN w/MMOAG/Filter Wheel	Inches
IR90 (raked in)	3.5
Focus Position (0-1.3")	0.25
Low Profile SecureFit Spacer - 600327	0.25
Low Profile SecureFit Spacer - 600328	0.25
SecureFit CCD Extender - 200377	0.5
SecureFit to MMOAG - 200394	0.55
Monster MMOAG	1.25
AstroDon Adapter - MMOAG-CW-A	0.2
Apogee AFW50-7S	1.05
Apogee ALTA, ASPEN BackFocus	1.01
TOTAL	8.81

IR90 to Apogee Alta w/MMOAG/Filter Wheel (D9 High Cooling)	Inches
IR90 (raked in)	3.5
Focus Position (0-1.3")	0.4
Low Profile SecureFit Spacer - 600327	0.25
Low Profile SecureFit Spacer - 600328	0.25
SecureFit to MMOAG - 200394	0.55
Monster MMOAG	1.25
AstroDon Adapter - MMOAG-CW-A	0.2
Apogee AFW50-7S	1.05
Apogee U16M High Cooling BackFocus	1.36
TOTAL	8.81

