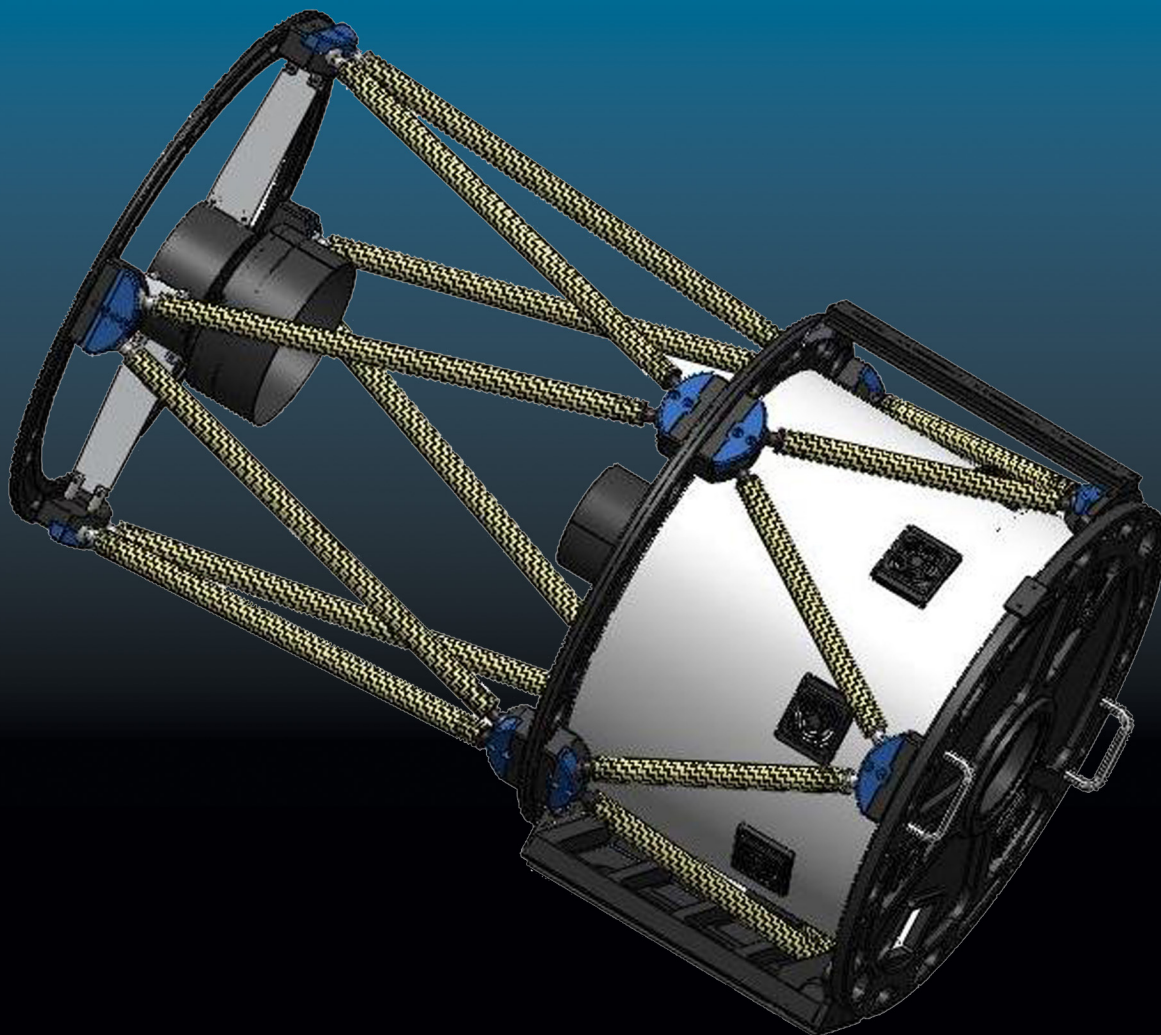
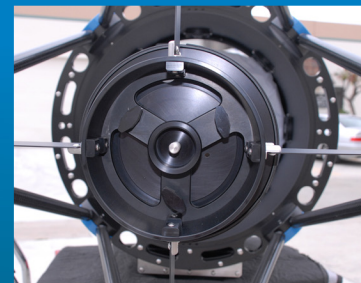




# CDK 24

24" (.6m) Astrograph Telescope



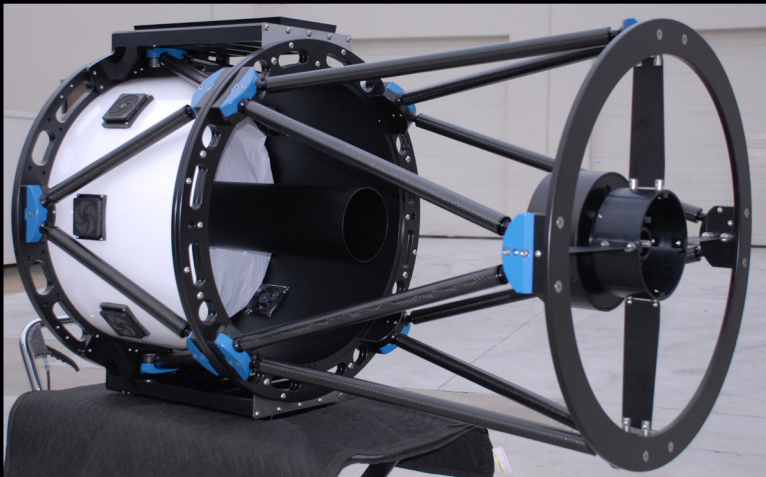
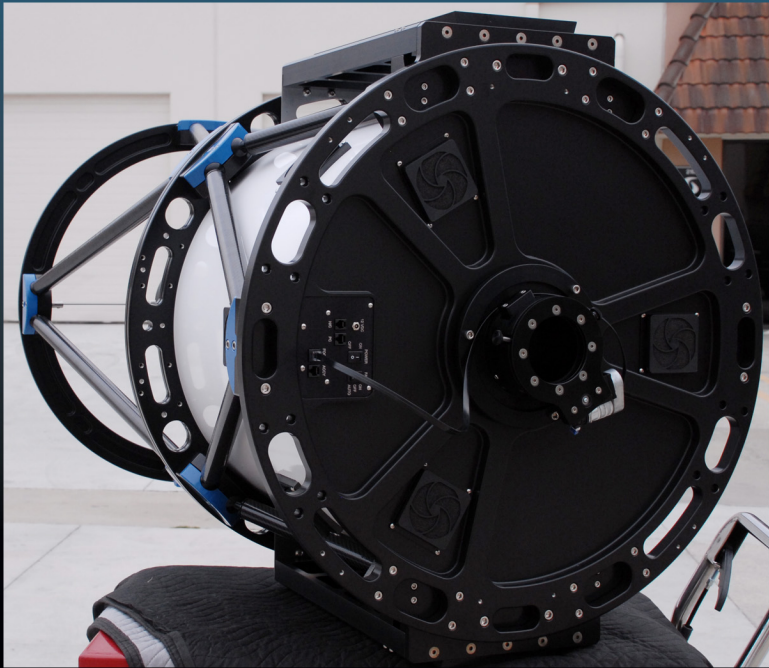
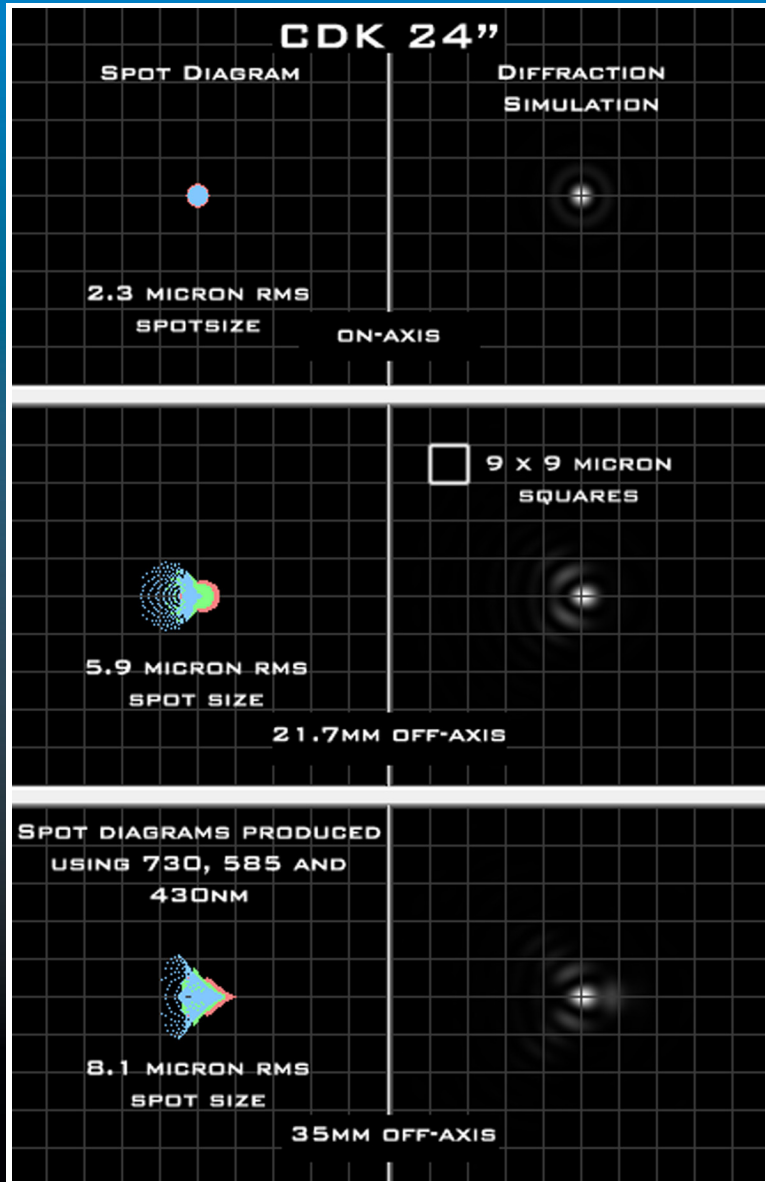
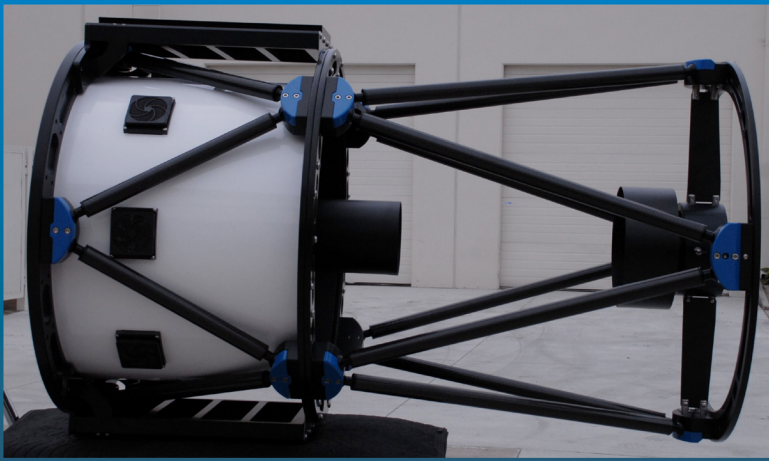
PlaneWave Instrument's is proud to introduce the CDK24. The CDK24 is a 24" f/6.8 Corrected Dall-Kirkham Astrograph telescope. The CDK24 has a dual truss design, with 3 cooling fans for the back of the primary mirror and 8 fans for the front surface of the primary mirror. The CDK24 covers a 70mm field of view without any field curvature, off-axis coma, or astigmatism. The optical system is ideal for large CCD chips and for visual use. The instrument weight is 240 lbs and comes standard with the large capacity 3.5" Hedrick focuser.

This no-compromise design is unique in making the optical alignment forgiving and collimation very easy. This guarantees the user will be sure to get the best performance out of the telescope possible. The end result at the image plane of the CDK design is no off-axis coma, no off-axis astigmatism, perfectly flat field (no off-axis defocus), all the way out to a 70mm image circle. All this means, the stars will be pinpoints from the center of the field of view out to the corner of the field of view.



1815 W. 205th St. #303 - Torrance, CA 90501  
Phone: 310.787.9411 - Fax: 310.634.0439

[www.planewave.com](http://www.planewave.com)



Aperture:	24 inch (610 mm)
Focal Length:	4145 mm (163.19")
Focal Ratio:	f/6.8
Central Obstruction:	41%
Back Focus from Mounting Plate:	13.45 inch (336 mm)
Back Focus from Focuser:	9.45 inch (234 mm)
Weight:	240 lbs (109 kg)
OTA Length:	55 inch (1397 mm)
OTA Width:	32 inch (813 mm)
OTA Height:	37 inch (940 mm)
Upper Cage:	Carbon Fiber Truss
Lower Cage:	Carbon Fiber Truss and AL shroud
Optimal Field of View:	70 mm (58 arcminute)



1815 W. 205th St. #303 - Torrance, CA 90501  
 Phone: 310.787.9411 - Fax: 310.634.0439  
[www.planewave.com](http://www.planewave.com)

Specifications are subject to change without notice. The photos above are for the fork mounted version of the CDK24.

Version 0410