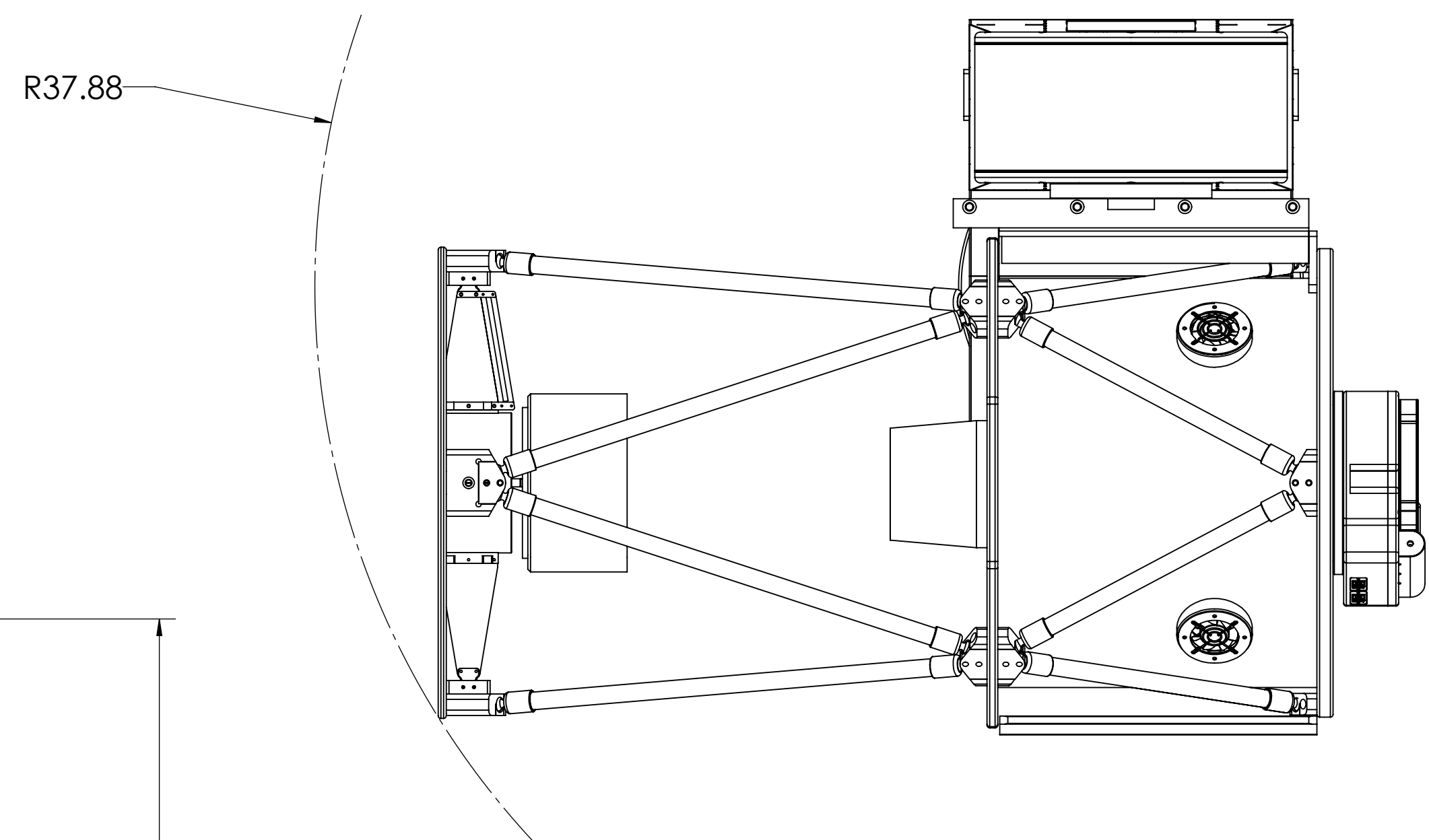
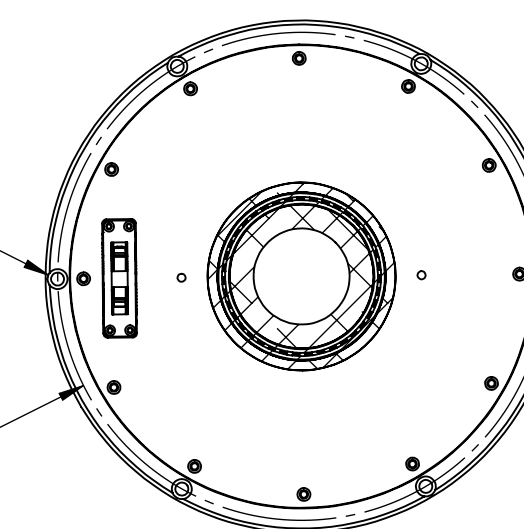


ALTITUDE/DECLINATION AXIS HAS 2 SETTINGS FOR THE END OF TRAVEL SPRING STOPS. 0 DEGREES FOR ALT/AZ CONFIGURATION AND -45 DEGREES FOR EQUATORIAL UPPER LIMIT IS FIXED AT 95 DEGREES

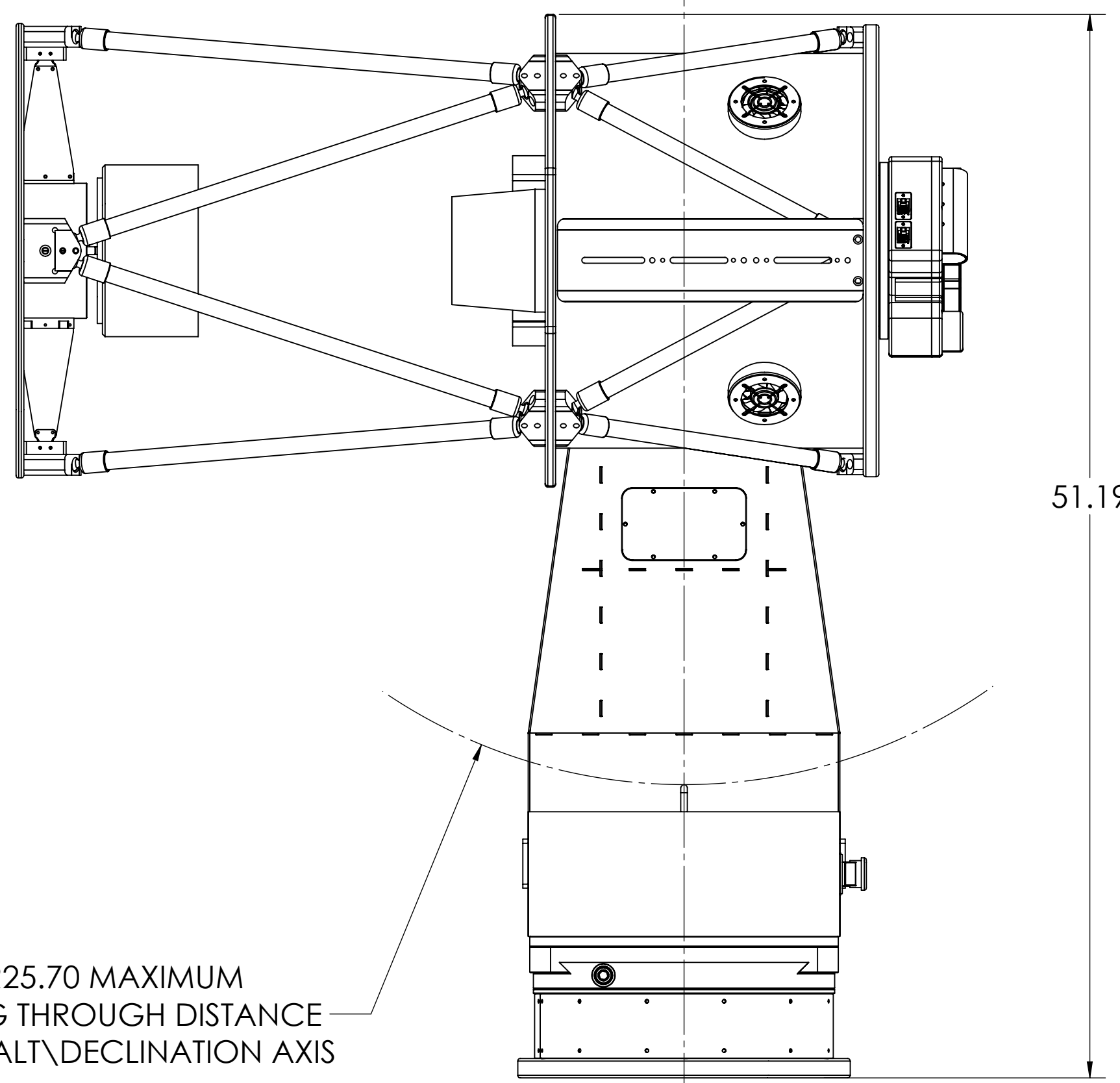


6X MOUNTING HOLES
CLEARANCE FOR
3/8 SOCKET HEAD CAP
SCREWS

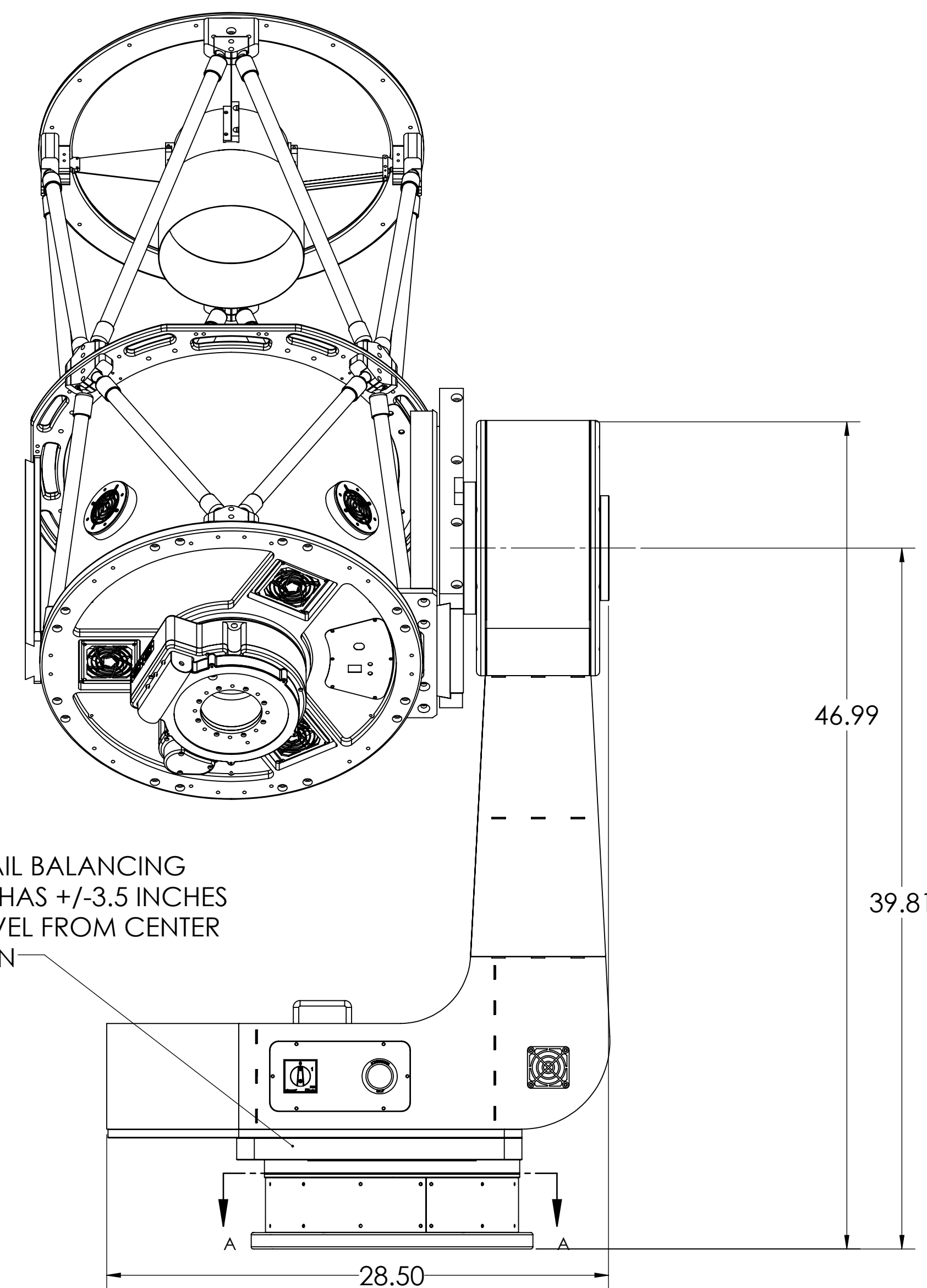
Ø 15.25



SECTION A-A
SCALE 1:6



DOVETAIL BALANCING
SYSTEM HAS +/-3.5 INCHES
OF TRAVEL FROM CENTER
POSITION



SWING RADII SHOWN ARE FOR REFERENCE ONLY, ACTUAL DIMENSIONS WILL VARY DEPENDING ON SYSTEM BALANCE

UNLESS OTHERWISE SPECIFIED TOLERANCES		NAME	DATE
DECIMAL DIM	ANGULAR DIM	DRAWN	KAI
XXXX ± 0.005	MACHINED ±0° 30'	CHECKED	
XXX ± 0.02	LOCATING ±0° 30'	ENG APPR.	
XX ± 0.02	FORMED ±1°	MATERIAL	
SURFACE FINISH	CHAMFERS ±5°	THE BEST	
MAX R 0.015		FINISH	
BREAK: ALL SHARP EDGES & REMOVE BURRS.		THE BEST	
PROPRIETARY AND CONFIDENTIAL THE INFORMATION CONTAINED IN THIS DRAWING IS THE SOLE PROPERTY OF PLANEWAVE INSTRUMENTS. ANY REPRODUCTION IN PART OR AS A WHOLE WITHOUT THE WRITTEN PERMISSION OF PLANEWAVE INSTRUMENTS IS PROHIBITED.		SCALE: 1:12	CDK400 ALT/AZ DIMENSIONS

PlaneWave Instruments

CDK400 ALT/AZ
CDK17/L500 DIMENSIONS

REV. NO.	CDK400 ALT/AZ	REV.	A
SCALE: 1:12	CDK400 ALT/AZ DIMENSIONS	SHEET 1 OF 1	