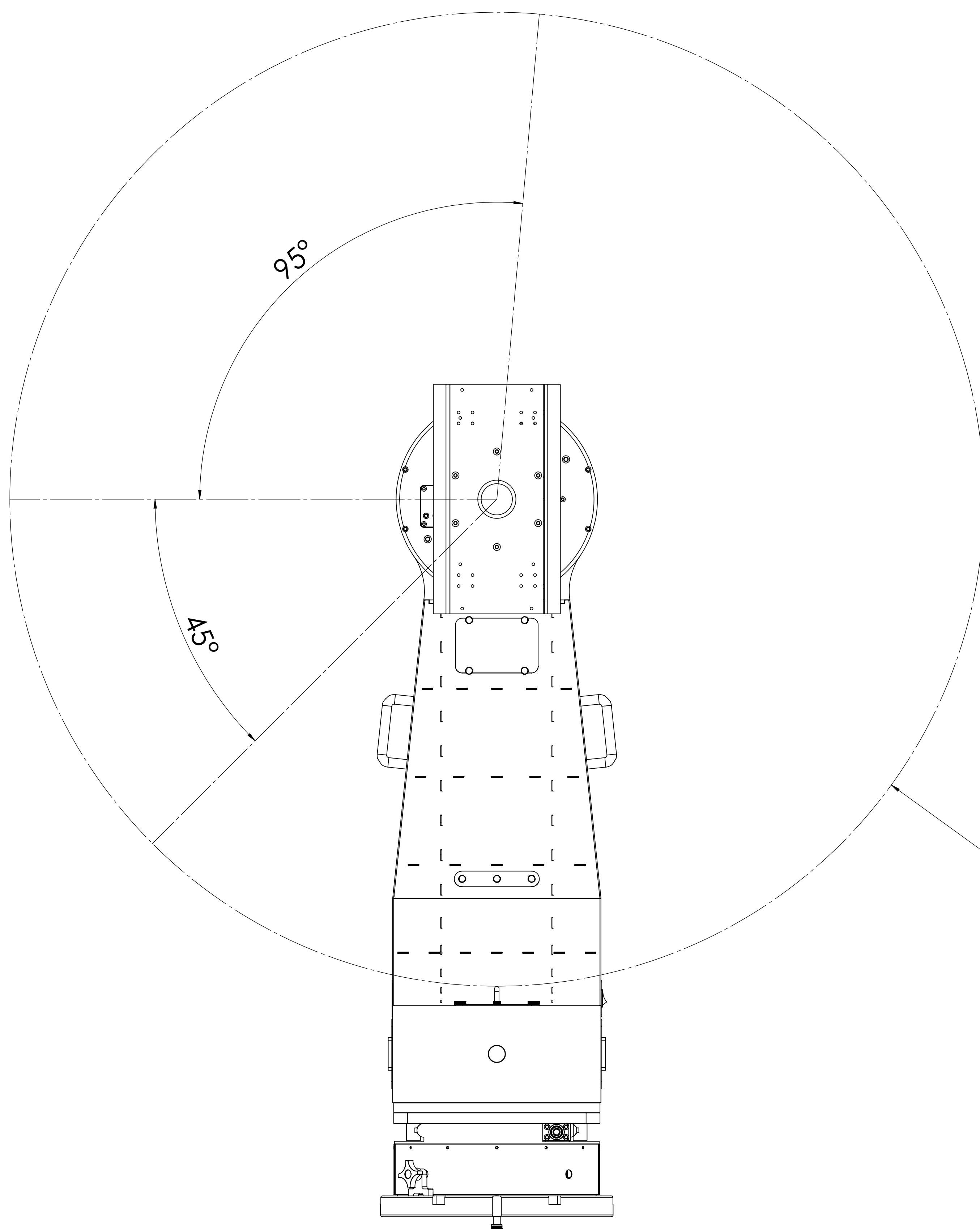
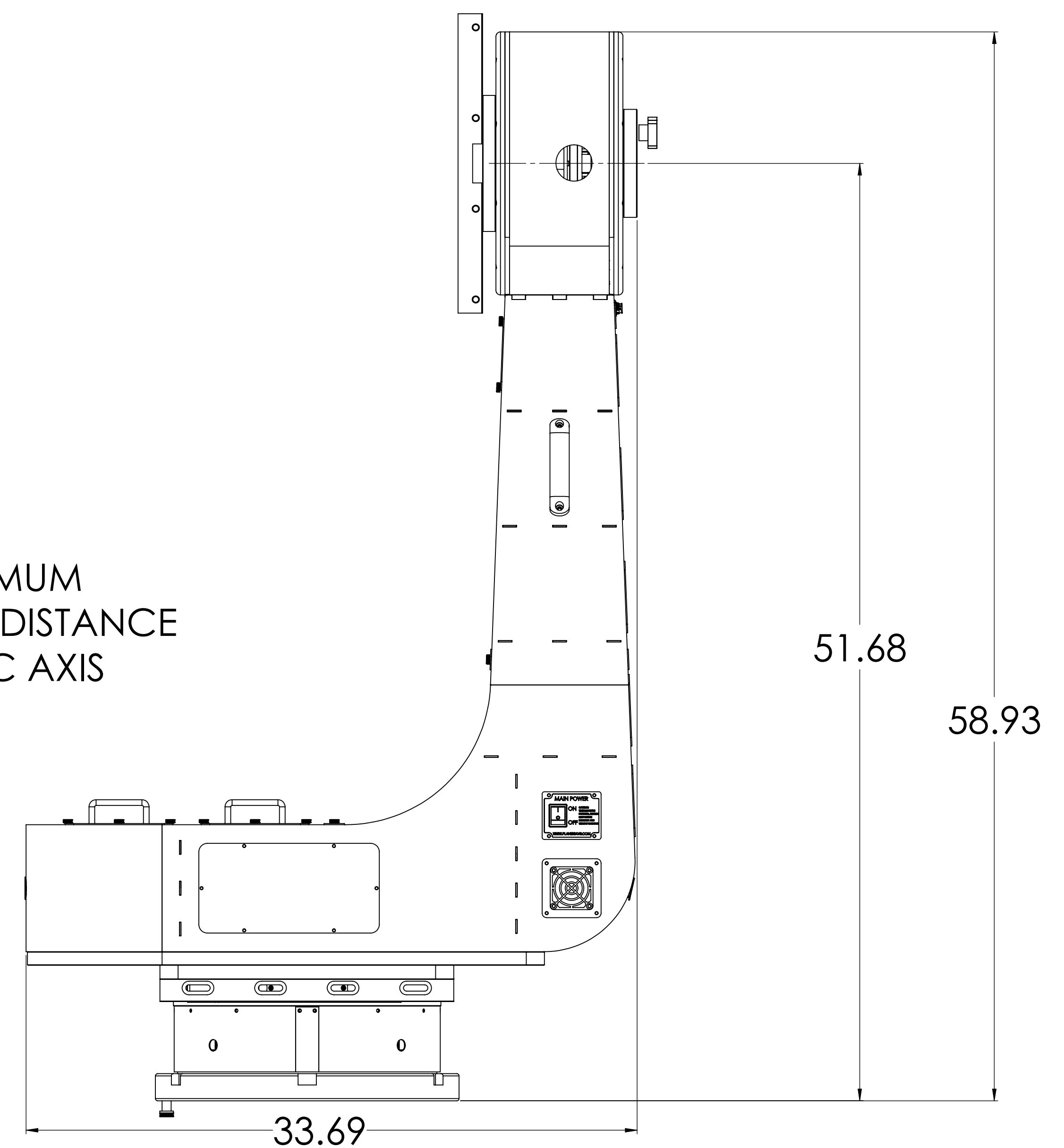


REVISIONS				
ZONE	REV.	DESCRIPTION	DATE	APPROVED



R35.08 MAXIMUM
SWING THROUGH DISTANCE
FROM ATL-DEC AXIS



ALTITUDE/DECLINATION AXIS HAS
2 SETTINGS FOR THE END OF TRAVEL
SPRING STOPS. 0 DEGREES FOR ALT/AZ CONFIGURATION
AND -45 DEGREES FOR EQUATORIAL. UPPER LIMIT IS FIXED AT 95 DEGREES

UNLESS OTHERWISE SPECIFIED TOLERANCES		NAME	DATE	PlaneWave Instruments	
DECIMAL DIM	ANGULAR DIM	DRAWN	DAP	2/9/2022	TITLE
XXXX ± 0.005	MACHINED ±0° 30'	CHECKED			L600 MOUNT SWING THROUGH CLEARANCE
XXX ± 0.05	LOCATED ±0° 30'	ENG APPR.			
XX ± 0.2	FORMED ±1°	MATERIAL		SIZE	DWG. NO.
SURFACE FINISH	CHAMFERS ±5°	FINISH		D	L6007010
MAX R 0.015		PROPRIETARY AND CONFIDENTIAL		SCALE: 1:1.5	REV. A
BREAK: ALL SHARP EDGES & REMOVE BURRS.		THE INFORMATION CONTAINED IN THIS DRAWING IS THE SOLE PROPERTY OF PLANEWAVE INSTRUMENTS. ANY REPRODUCTION IN PART OR AS A WHOLE WITHOUT THE WRITTEN PERMISSION OF PLANEWAVE INSTRUMENTS IS PROHIBITED.		SCALE: 1:1.5	SHEET 1 OF 1
		CAO FILE	L6007010 (L600 MOUNT SWING THROUGH)		