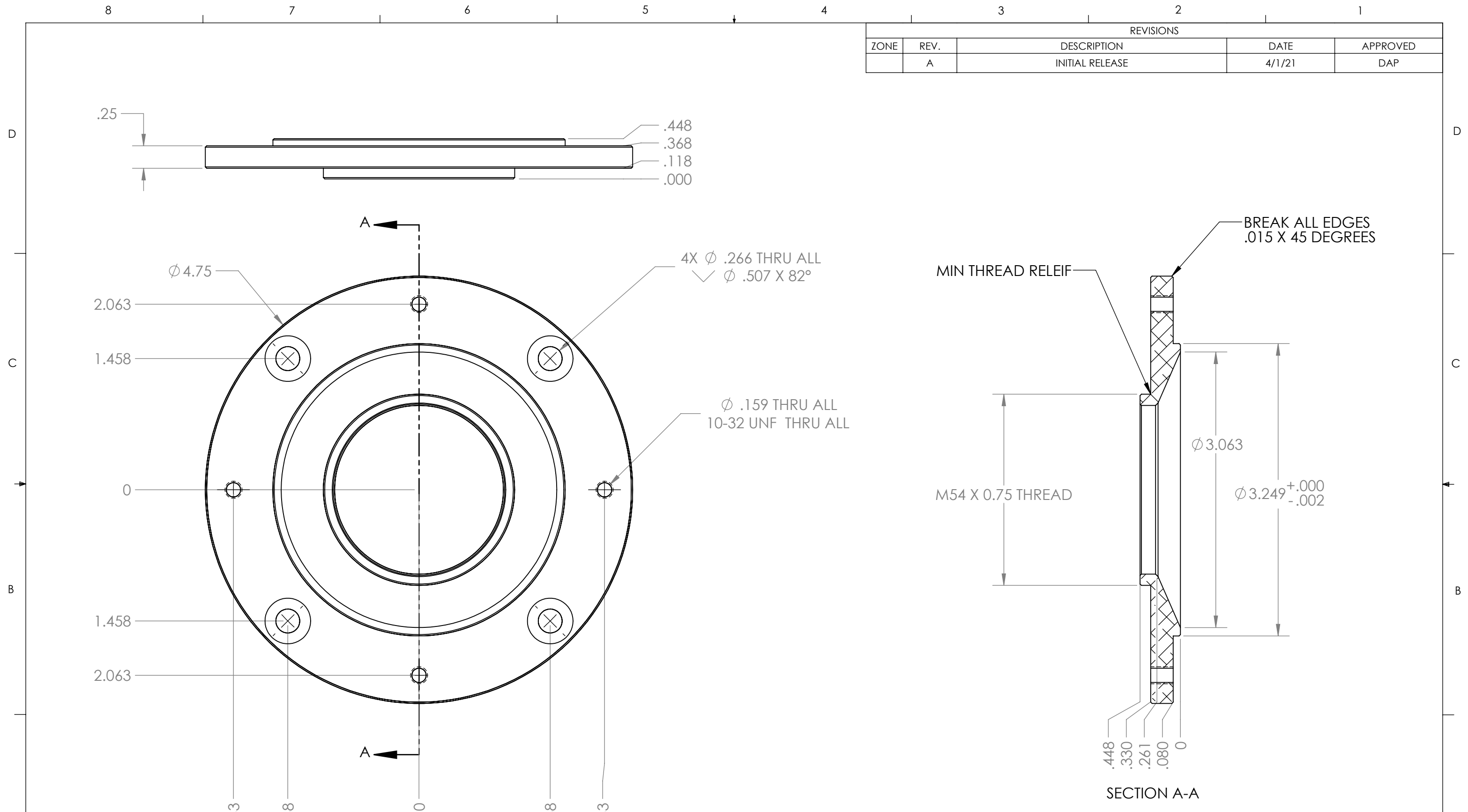


REVISIONS				
ZONE	REV.	DESCRIPTION	DATE	APPROVED
	A	INITIAL RELEASE	4/1/21	DAP



4X ϕ .266 THRU ALL
 \surd ϕ .507 X 82°

ϕ .159 THRU ALL
 10-32 UNF THRU ALL

MIN THREAD RELIEF

BREAK ALL EDGES
 .015 X 45 DEGREES

M54 X 0.75 THREAD

SECTION A-A

PROPRIETARY AND CONFIDENTIAL
 THE INFORMATION CONTAINED IN THIS DRAWING IS THE SOLE PROPERTY OF PLANEWAVE INSTRUMENTS. ANY REPRODUCTION IN PART OR AS A WHOLE WITHOUT THE WRITTEN PERMISSION OF PLANEWAVE INSTRUMENTS IS PROHIBITED.

UNLESS OTHERWISE SPECIFIED TOLERANCES		NAME	DATE	PlaneWave Instruments
DECIMAL DIM .XXXX ±.0005 .XXX ±.005 .XX ±.02	ANGULAR DIM MACHINED ±0° 30' LOCATING ±0° 30' FORMED ±1° CHAMFERS ±5°	DRAWN DAP	4/2/2021	
MATERIAL 6061 ALUMINUM				TITLE SECURE FIT TO M54 X .75
FINISH BLK ANODIZE TYPE 2				
QUANTITY 1				SIZE DWG. NO. B 600389
SCALE: 1:1				CAD FILE: 600389A (SECURE FIT TO M54 X .75) SHEET 1 OF 1