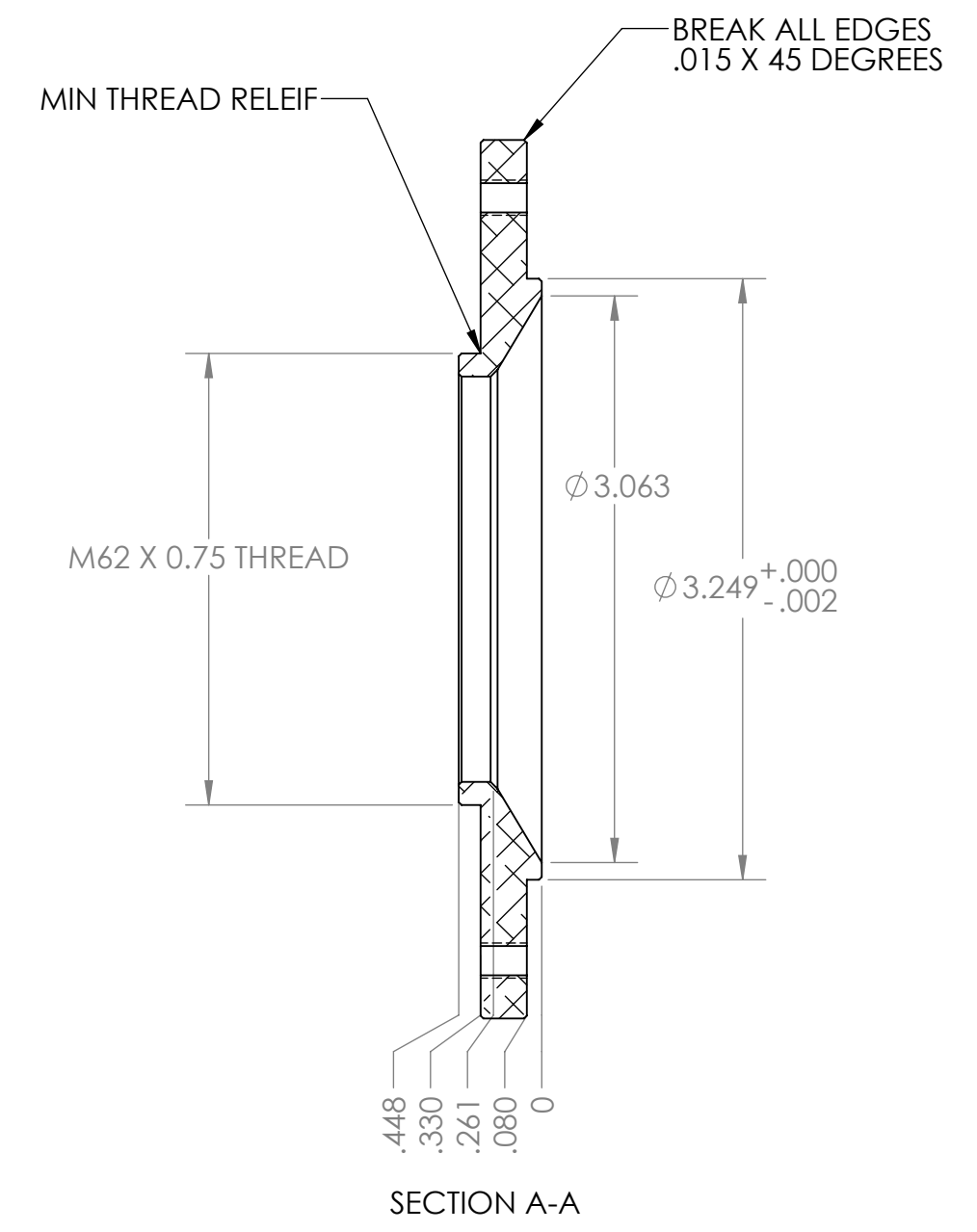
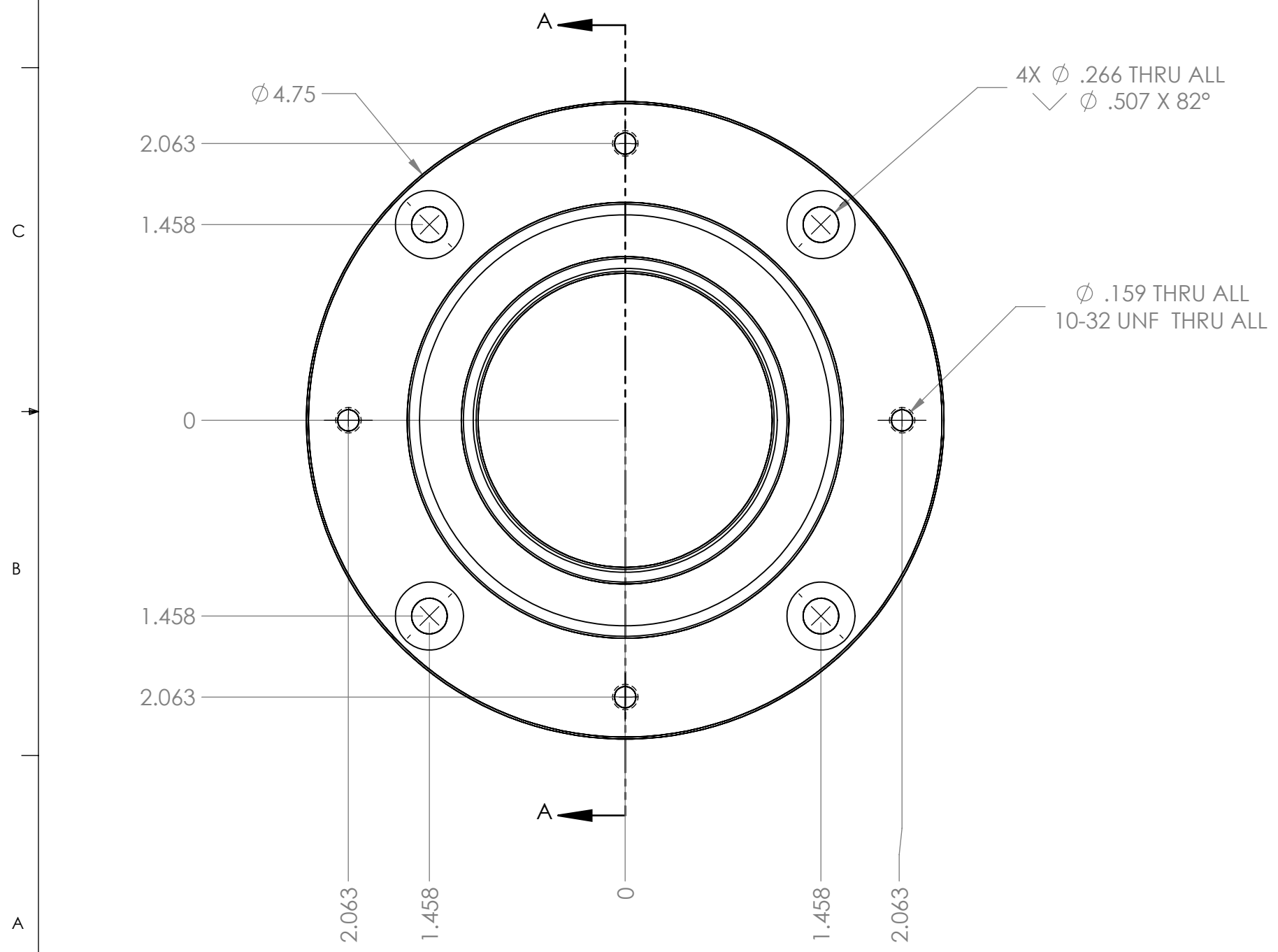
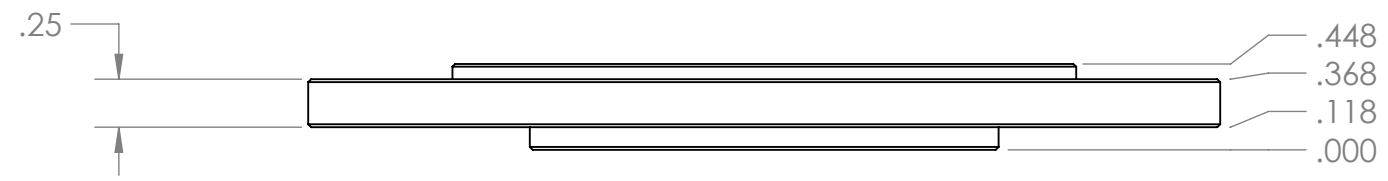


REVISIONS				
ZONE	REV.	DESCRIPTION	DATE	APPROVED
	A	INITIAL RELEASE	4/1/21	DAP



PROPRIETARY AND CONFIDENTIAL
 THE INFORMATION CONTAINED IN THIS DRAWING IS THE SOLE PROPERTY OF PLANEWAVE INSTRUMENTS. ANY REPRODUCTION IN PART OR AS A WHOLE WITHOUT THE WRITTEN PERMISSION OF PLANEWAVE INSTRUMENTS IS PROHIBITED.

UNLESS OTHERWISE SPECIFIED TOLERANCES		NAME	DATE	PlaneWave Instruments
DECIMAL DIM .XXXX ±.0005 .XXX ±.005 .XX ±.02	ANGULAR DIM MACHINED ±0° 30' LOCATING ±0° 30' FORMED ±1° CHAMFERS ±5°	DAP	4/2/2021	
		DRAWN		TITLE
		CHECKED		
		ENG APPR.		SECURE FIT TO M62 QHY OFF-AXIS GUIDER
		MATERIAL		
		6061 ALUMINUM		SIZE DWG. NO.
		FINISH		B 600387 X A
		BLK ANODIZE TYPE 2		SCALE:1:1
		QUANTITY		CAD FILE:600387A (SECURE FIT TO M62 QHY OFF-AXIS GUIDER) SHEET 1 OF 1
		1		