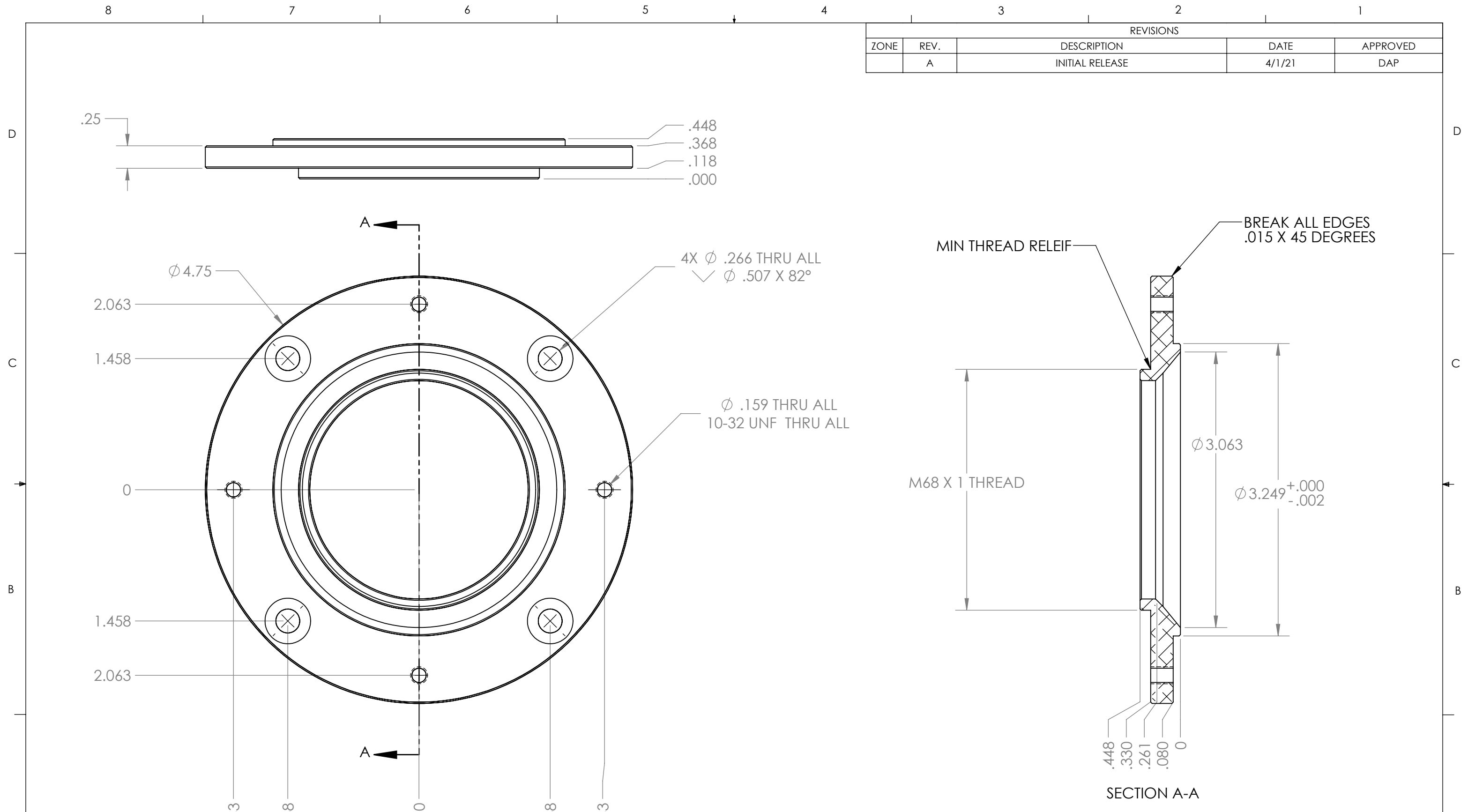


REVISIONS				
ZONE	REV.	DESCRIPTION	DATE	APPROVED
	A	INITIAL RELEASE	4/1/21	DAP



UNLESS OTHERWISE SPECIFIED TOLERANCES		NAME	DATE	PlaneWave Instruments
DECIMAL DIM .XXXX ±.0005 .XXX ±.005 .XX ±.02	ANGULAR DIM MACHINED ±0° 30' LOCATING ±0° 30' FORMED ±1° CHAMFERS ±5°	DRAWN DAP	4/2/2021	
		CHECKED		TITLE
		ENG APPR.		SECURE FIT TO M68 X 1
		MATERIAL	6061 ALUMINUM	SIZE DWG. NO.
		FINISH	BLK ANODIZE TYPE 2	B 600390 X A
		QUANTITY	1	SCALE:1:1 CAD FILE:600390A (SECURE FIT TO M68 X 1) SHEET 1 OF 1

**PROPRIETARY AND CONFIDENTIAL**  
THE INFORMATION CONTAINED IN THIS DRAWING IS THE SOLE PROPERTY OF PLANEWAVE INSTRUMENTS. ANY REPRODUCTION IN PART OR AS A WHOLE WITHOUT THE WRITTEN PERMISSION OF PLANEWAVE INSTRUMENTS IS PROHIBITED.