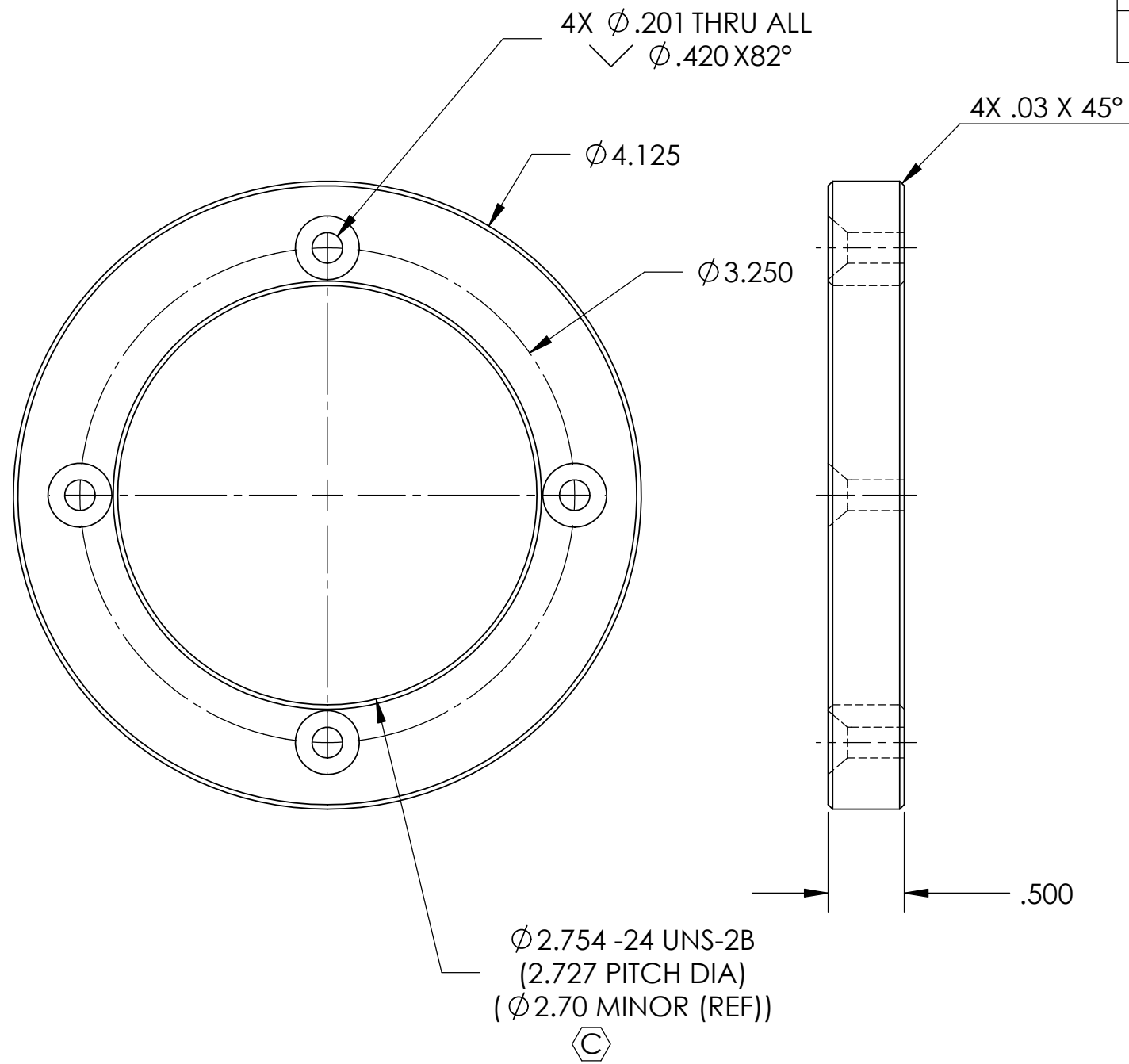


8 7 6 5 4 3 2 1

REVISIONS			
REV.	DESCRIPTION	DATE	APPROVED
C	ECN125370C	7/11/2008	

D
C
B
A



2. ANODIZE PER MIL-A-8625F, TYPE 2, CLASS 2, BLACK.
1. ALL DIMENSIONS APPLY AFTER FINISH.

NOTES: UNLESS OTHERWISE SPECIFIED

PROPRIETARY AND CONFIDENTIAL
THE INFORMATION CONTAINED IN THIS DRAWING IS THE SOLE PROPERTY OF PLANEWAVE INSTRUMENTS. ANY REPRODUCTION IN PART OR AS A WHOLE WITHOUT THE WRITTEN PERMISSION OF PLANEWAVE INSTRUMENTS IS PROHIBITED.

UNLESS OTHERWISE SPECIFIED TOLERANCES		NAME	DATE	PLANEwave Instruments
DECIMAL DIM	ANGULAR DIM	DRAWN	BP	
.XXXX ±.0005 .XXX ±.005 .XX ±.02	MACHINED ±0° 30' LOCATING ±0° 30' FORMED ±1° CHAMFERS ±5°	CHECKED	3/25/08	
SURFACE FINISH		MATERIAL		TITLE
MAX R 0.015	63	6061-T6 AL ALLOY		ADAPTER, 2.75 FOCUSER TO AP FEMALE THREADS
BREAK ALL SHARP EDGES & REMOVE BURRS.		FINISH		SIZE DWG. NO.
		SEE NOTES		B 125370
				SCALE: 1:2 CAD FILE: 125370C SHEET 1 OF 1

8 7 6 5 4 3 2 1