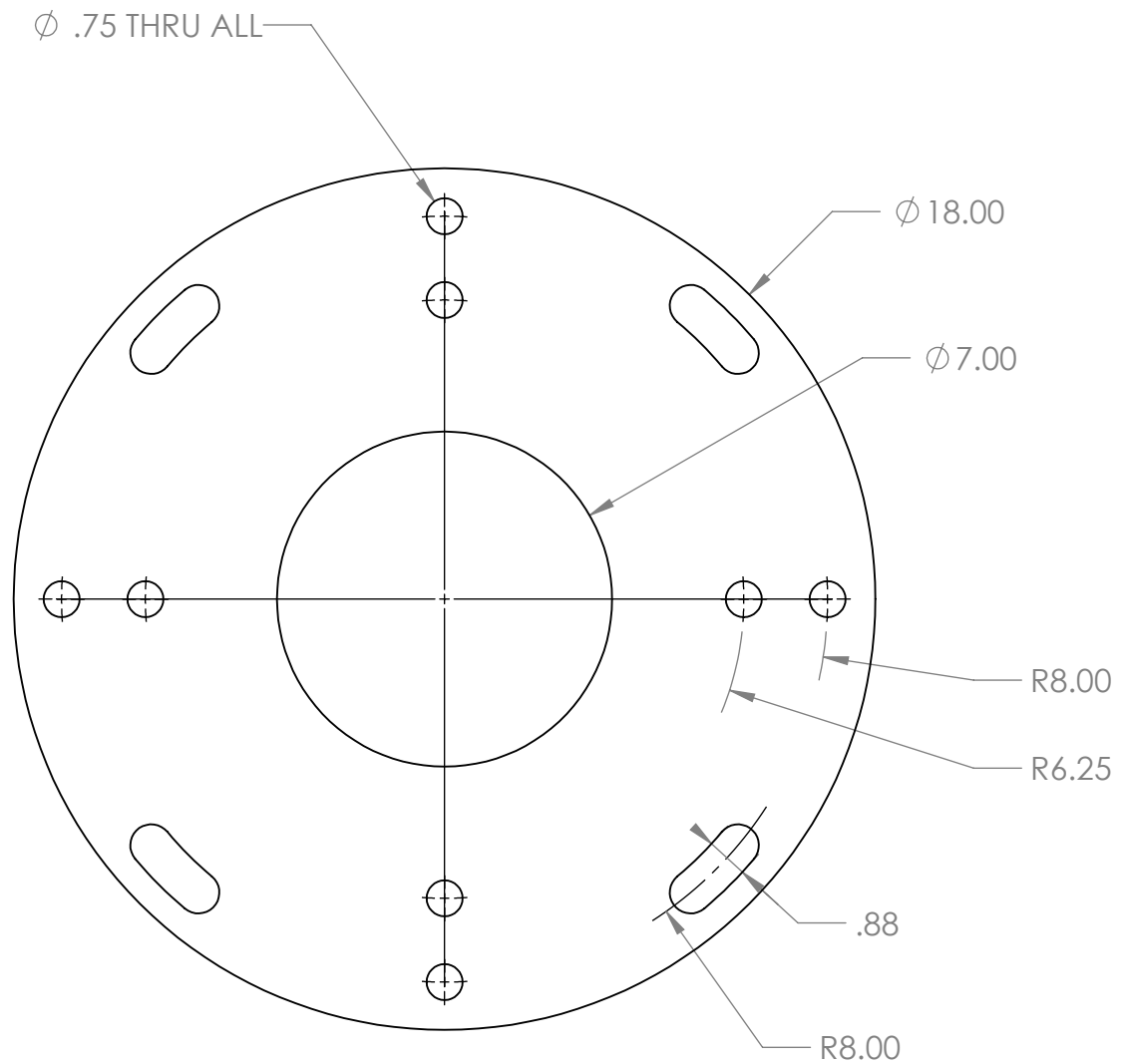
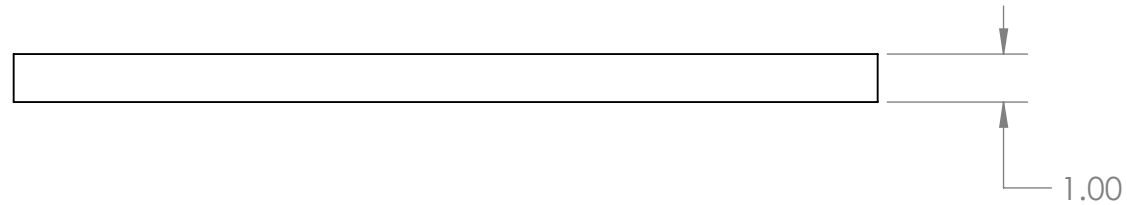


REVISIONS				
ZONE	REV.	DESCRIPTION	DATE	APPROVED
	A	INITIAL RELEASE	8/9/2018	DNG
	B	UPDATED TO BE UNIVERSAL PLATE	1/29/2020	KAI



PLASMA PER PRINT

PROPRIETARY AND CONFIDENTIAL
 THE INFORMATION CONTAINED IN THIS DRAWING IS THE SOLE PROPERTY OF PLANEWAVE INSTRUMENTS. ANY REPRODUCTION IN PART OR AS A WHOLE WITHOUT THE WRITTEN PERMISSION OF PLANEWAVE INSTRUMENTS IS PROHIBITED.

UNLESS OTHERWISE SPECIFIED TOLERANCES		NAME	DATE	PlaneWave Instruments	
DECIMAL DIM	ANGULAR DIM	DRAWN	DNG	TITLE	
.XXXX ±.0005	MACHINED ±0° 30'	CHECKED	9/26/2017	L350 PIER BASE	
.XXX ±.005	LOCATING ±0° 30'	ENG APPR.		SIZE DWG. NO. 6003001B (L350 PIER BASE) REV. B	
.XX ±.02	FORMED ±1°	MATERIAL	STEEL	SCALE: 1:4 CAD FILE: 6003001B (L350 PIER BASE) SHEET 1 OF 1	
	CHAMFERS ±5°	FINISH	NONE		
		QUANTITY	1		