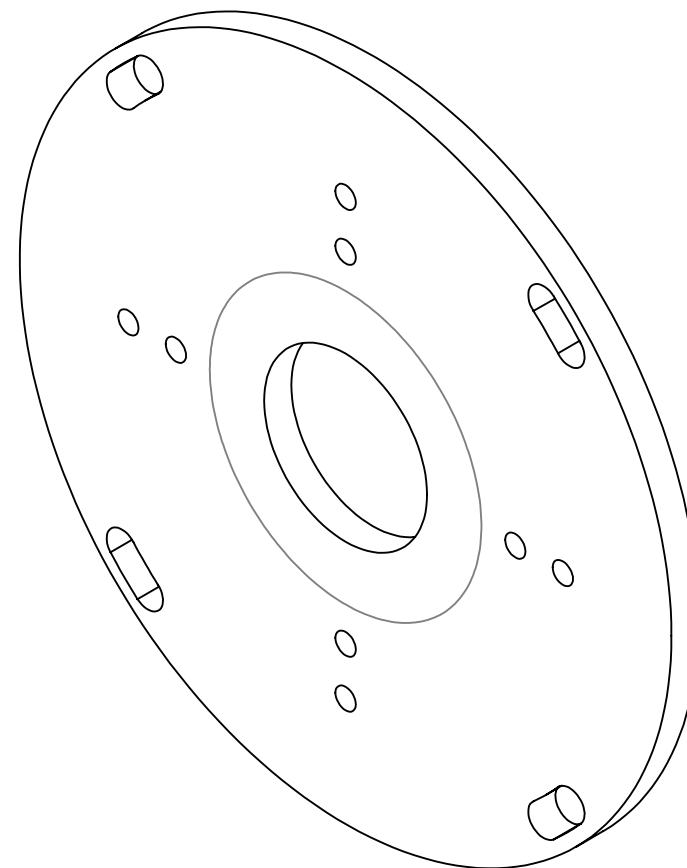
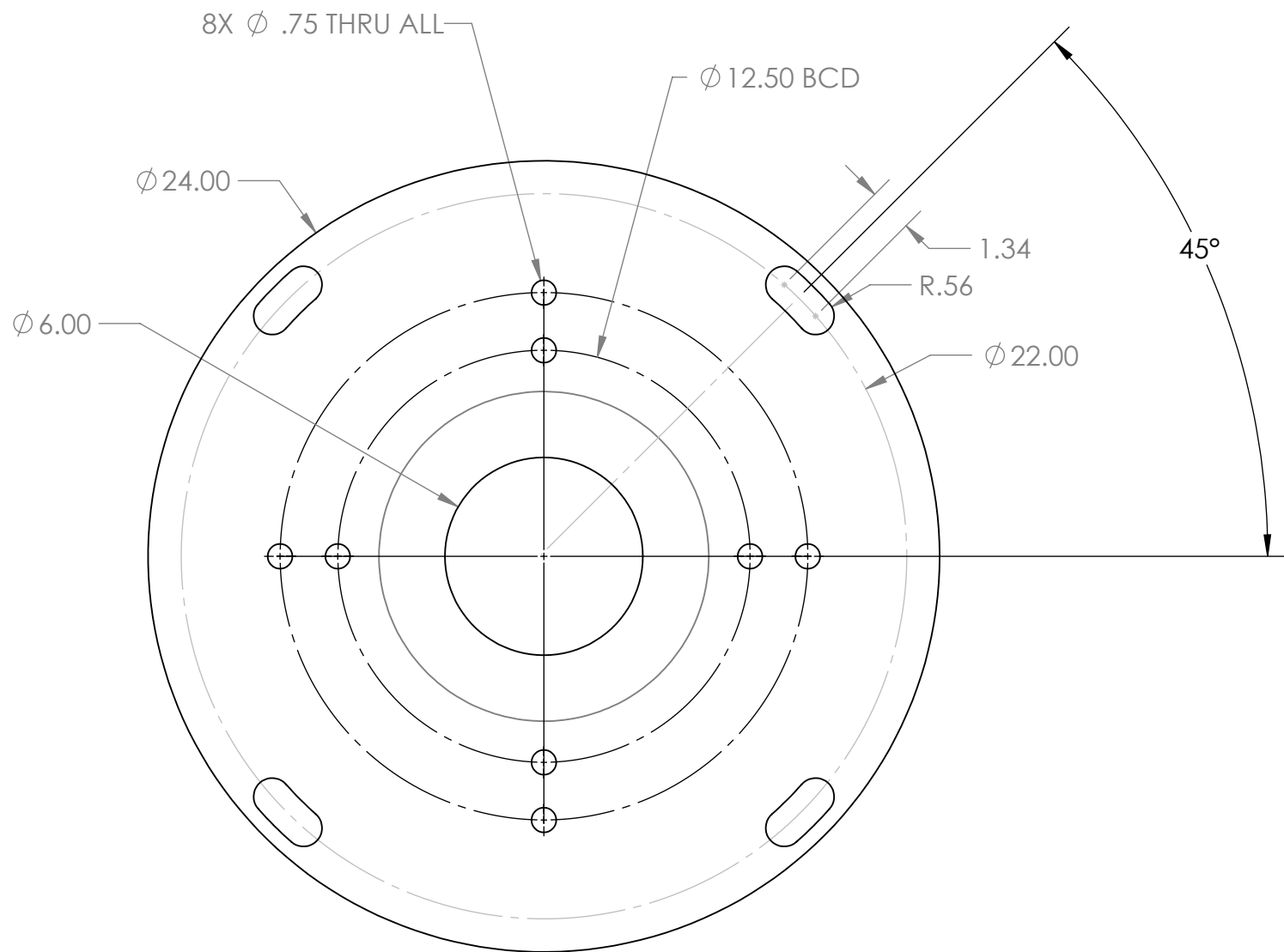
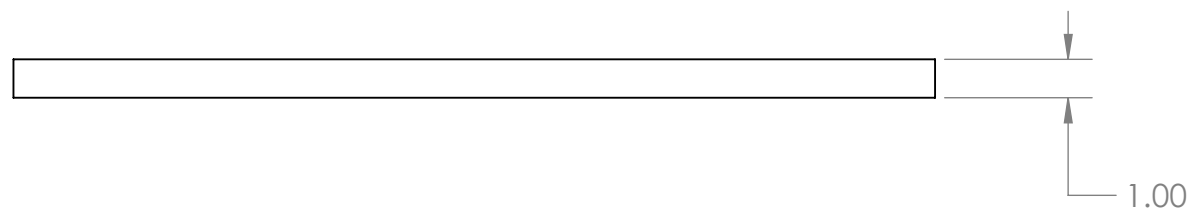


REVISIONS				
ZONE	REV.	DESCRIPTION	DATE	APPROVED
B2	A	INITIAL RELEASE	8/1/2018	DNG



PROPRIETARY AND CONFIDENTIAL
 THE INFORMATION CONTAINED IN THIS DRAWING IS THE SOLE PROPERTY OF PLANEWAVE INSTRUMENTS. ANY REPRODUCTION IN PART OR AS A WHOLE WITHOUT THE WRITTEN PERMISSION OF PLANEWAVE INSTRUMENTS IS PROHIBITED.

UNLESS OTHERWISE SPECIFIED TOLERANCES		NAME	DATE	PlaneWave Instruments
DECIMAL DIM	ANGULAR DIM	DRAWN	DNG	
.XXXX ±.0005	MACHINED ±0° 30'	CHECKED	2/25/2010	STANDARD PIER BASE
.XXX ±.005	LOCATING ±0° 30'	ENG APPR.		
.XX ±.02	FORMED ±1°	MATERIAL	1" STEEL PLATE	SIZE
	CHAMFERS ±5°	FINISH	SEE WELDMENT	DWG. NO.
		QUANTITY	1	B 6003103A (STANDARD PIER BASE SRO PATTERN)
				SCALE: 1:8
				CAD FILE:
				SHEET 1 OF 1

8 7 6 5 4 3 2 1

D
C
B
A

D
C
B
A

8 7 6 5 4 3 2 1