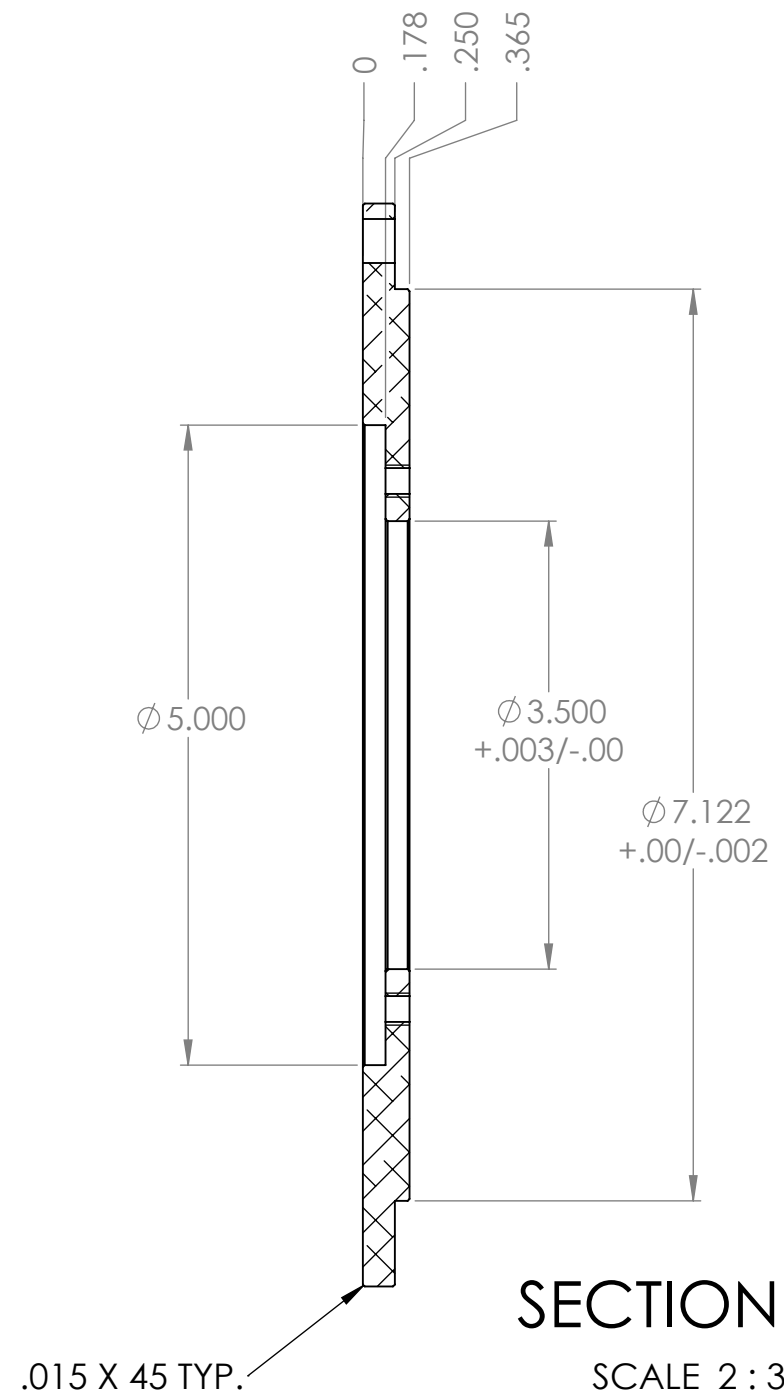
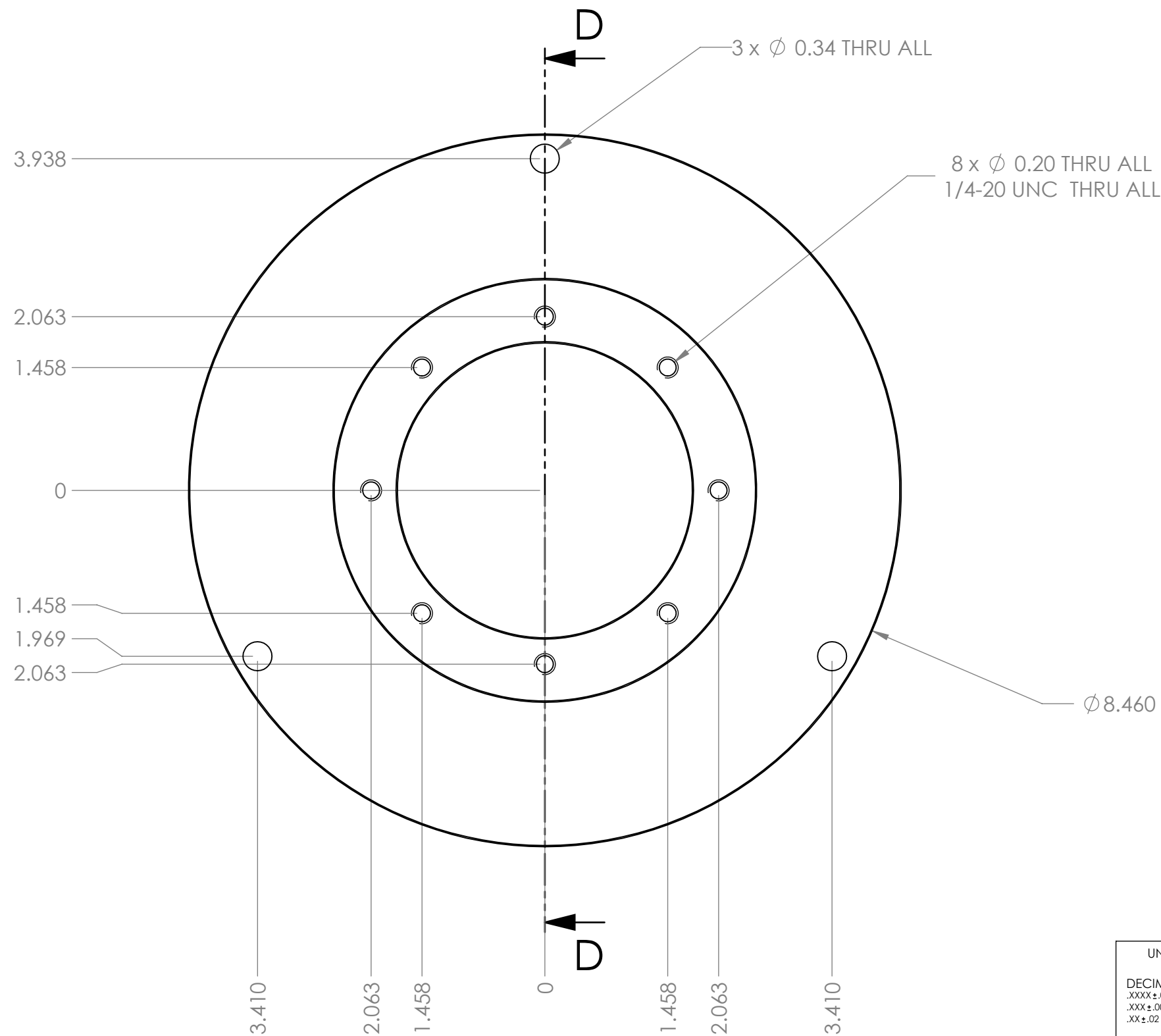


REVISIONS				
ZONE	REV.	DESCRIPTION	DATE	APPROVED
	A	INITIAL RELEASE	3/23/2021	KAI



SECTION D-D
SCALE 2:3

PROPRIETARY AND CONFIDENTIAL
THE INFORMATION CONTAINED IN THIS DRAWING IS THE SOLE PROPERTY OF PLANEWAVE INSTRUMENTS. ANY REPRODUCTION IN PART OR AS A WHOLE WITHOUT THE WRITTEN PERMISSION OF PLANEWAVE INSTRUMENTS IS PROHIBITED.

UNLESS OTHERWISE SPECIFIED TOLERANCES		NAME	DATE	PlaneWave Instruments
DECIMAL DIM .XXXX ±.0005 .XXX ±.005 .XX ±.02	ANGULAR DIM MACHINED ±0° 30' LOCATING ±0° 30' FORMED ±1° CHAMFERS ±5°	DRAWN KAI	3/23/2021	
MATERIAL 6061 ALUMINUM				TITLE RETAINING RING TO 3.5 FOCUSER FLANGE
FINISH BLACK ANODIZE TYPE 2				
QUANTITY 1		SIZE B	DWG. NO. 6003148	REV. A
SCALE: 1:2		CAD FILE: 6003148A [RETAINING RING TO 3.5 FOCUSER FLANGE]		SHEET 1 OF 1